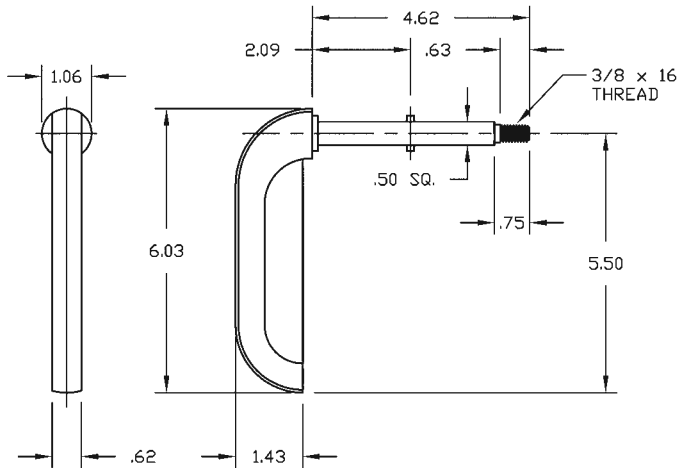


BUS DOOR HARDWARE

No. 1-2390-50



No. 1-2390-50

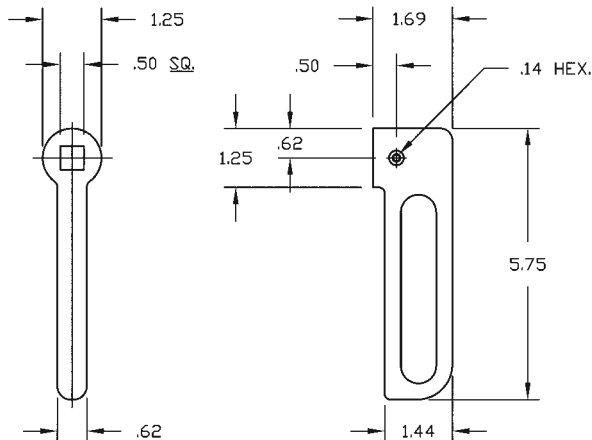
Heavy-duty zinc die cast handles with a bright polished chrome finish is ideal for outside door applications on school buses or trucks. Handle can be used in door assemblies that require FMVSS 217 standards. Shank measures 4.62" width stop dia. of 2.09".

No. 2-2390-50

Same as above except shank measures 3.25" with stop dia. of .72".



No. 2390-51



No. 2390-51

Outside web handle.

Available in black powder coat, school bus yellow or bright chrome finish.

Provided with set screw attached.

Sturdy malleable iron handle with web design to provide easy operation.

No. 2390-50

Outside handle with 4.125" shank, 1" threaded.

No. 3-2390-50

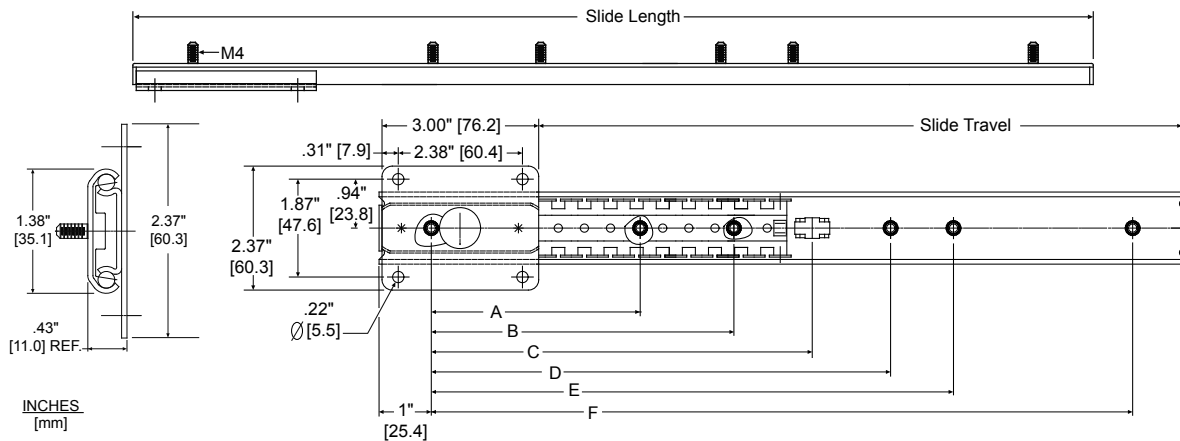
Outside handle with 3.813" shank, 1" threaded.

ACCURIDE DRAWER SLIDES

MODEL 115

APPLICATIONS: Provides guidance, support, or adjustment in a wide range of applications from manufacturing machinery to utility vehicles to diagnostic equipment.

Linear Motion Slide
 132 lbs. [60 kg.] Flat Mounted
 110 lbs. [50 kg.] Side Mounted
 May be vertically mounted (non-load bearing)



Finish	Bright electro-zinc (C) ●	Mounting	Side, Flat or Vertical
Length	12"–28", 32", 36", and 40" [305 mm–711 mm, 813 mm, 914 mm, 1016 mm]	Hardware	#8 pan head screws (not included)
Height	Slide Height: 1.38" [35.1 mm] Slide Height Including Plate: 2.37" [60.3 mm]	Load Rating*	Flat mounted: 132 lbs. [60 kg.] per pair Side mounted: 110 lbs. [50 kg.] per pair
Travel	See chart	Movement	Steel ball bearings
Side Space	.43" [11.0 mm]	Disconnect	None

Part Number	Slide Length	Travel	A	B	C	D	E	F	Load Rating†	Load Rating††
C115-12	12" [305]	8.90" [226]	3.50" [88.9]	-	5.00" [127.0]	6.50" [165.1]	-	10.00" [254.0]	132 lbs [60 kg.]	110 lbs [50 kg.]
C115-14	14" [356]	10.87" [276]	4.00" [101.6]	-	6.00" [152.4]	8.00" [203.2]	-	12.00" [304.8]	132 lbs [60 kg.]	110 lbs [50 kg.]
C115-16	16" [406]	12.87" [327]	4.00" [101.6]	-	7.00" [177.8]	10.00" [254.0]	-	14.00" [355.6]	132 lbs [60 kg.]	110 lbs [50 kg.]
C115-18	18" [457]	14.88" [378]	5.00" [127.0]	-	8.00" [203.2]	11.00" [279.4]	-	16.00" [406.4]	132 lbs [60 kg.]	110 lbs [50 kg.]
C115-20	20" [508]	16.89" [429]	6.00" [152.4]	-	9.00" [228.6]	12.00" [304.8]	-	18.00" [457.2]	132 lbs [60 kg.]	110 lbs [50 kg.]
C115-22	22" [559]	18.90" [480]	7.00" [177.8]	-	10.00" [254.0]	13.00" [330.2]	-	20.00" [508.0]	132 lbs [60 kg.]	110 lbs [50 kg.]
C115-24	24" [607]	20.87" [530]	4.00" [101.6]	8.00" [203.2]	11.00" [279.4]	14.00" [355.6]	18.00" [457.2]	22.00" [558.8]	132 lbs [60 kg.]	110 lbs [50 kg.]
C115-26	26" [660]	22.87" [581]	5.00" [127.0]	10.00" [254.0]	12.00" [304.8]	14.00" [355.6]	19.00" [482.6]	24.00" [609.6]	132 lbs [60 kg.]	110 lbs [50 kg.]
C115-28	28" [711]	24.88" [632]	5.00" [127.0]	10.00" [254.0]	13.00" [330.2]	16.00" [406.4]	21.00" [533.4]	26.00" [660.4]	132 lbs [60 kg.]	110 lbs [50 kg.]
C115-32	32" [813]	28.90" [734]	6.00" [152.4]	12.00" [304.8]	15.00" [381.0]	18.00" [457.2]	24.00" [609.6]	30.00" [762.0]	132 lbs [60 kg.]	110 lbs [50 kg.]
C115-36	36" [914]	32.87" [835]	7.00" [177.8]	14.00" [355.6]	17.00" [431.8]	20.00" [508.0]	27.00" [685.8]	34.00" [863.6]	132 lbs [60 kg.]	110 lbs [50 kg.]
C115-40	40" [1016]	36.79" [937]	8.00" [203.2]	16.00" [406.4]	19.00" [482.6]	22.00" [558.8]	30.00" [762.0]	38.00" [965.2]	132 lbs [60 kg.]	110 lbs [50 kg.]

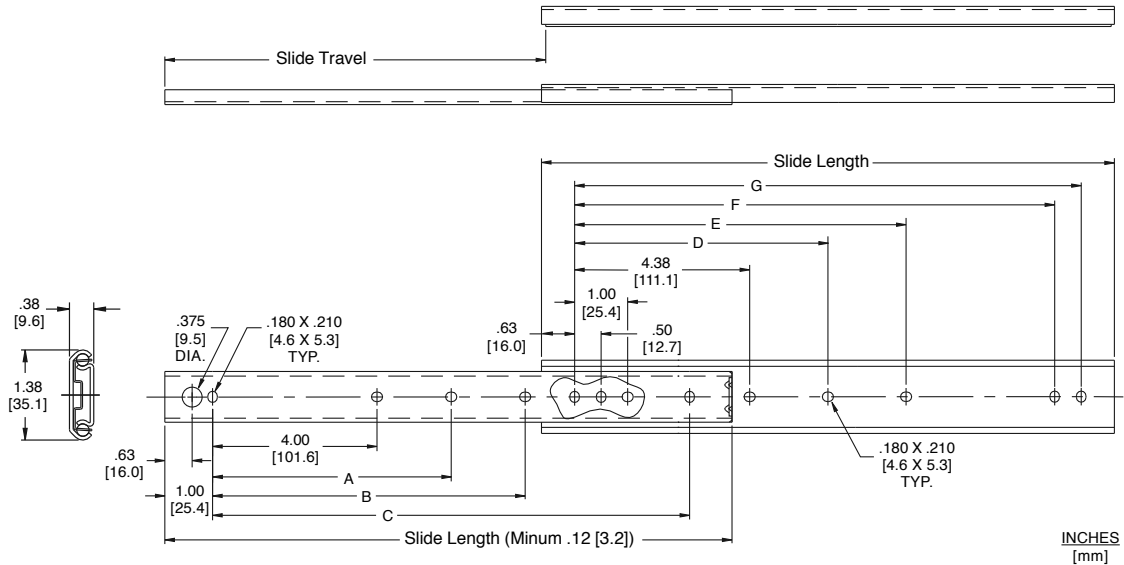
* Load rating based on 10,000 cycles per pair.
 ● RoHS Compliant
 † Flat Mount
 †† Side Mount

DRAWER SLIDES

MODEL 201

APPLICATIONS: EIA rack-mount chassis, tool boxes, industrial work stations, data processing, mechanical devices, point-of-purchase displays, and medical applications. Use model 201 whenever a light duty, 3/4 extension slide with positive stop is required.

Low Profile, Light Duty Slide
3/4 Extension
Up to 108 lb. [49 kg.] Capacity*



- Finish** Bright electro-zinc (C)
- Length** 12" to 28" [305mm to 711mm]
- Travel** 3/4" length of slide
- Height** 1.38" [35.1]
- Load** See chart *
- Sidespace** .38" + .030 / - .000
[9.6mm + 0.76 / - 0.00]
- Mounting** Side, bracket or hard mounting
- Hardware** #8 pan head screws
- Features** Positive stop

* Load rating based on slides mounted in a 16" wide drawer cycled 10,000 times.

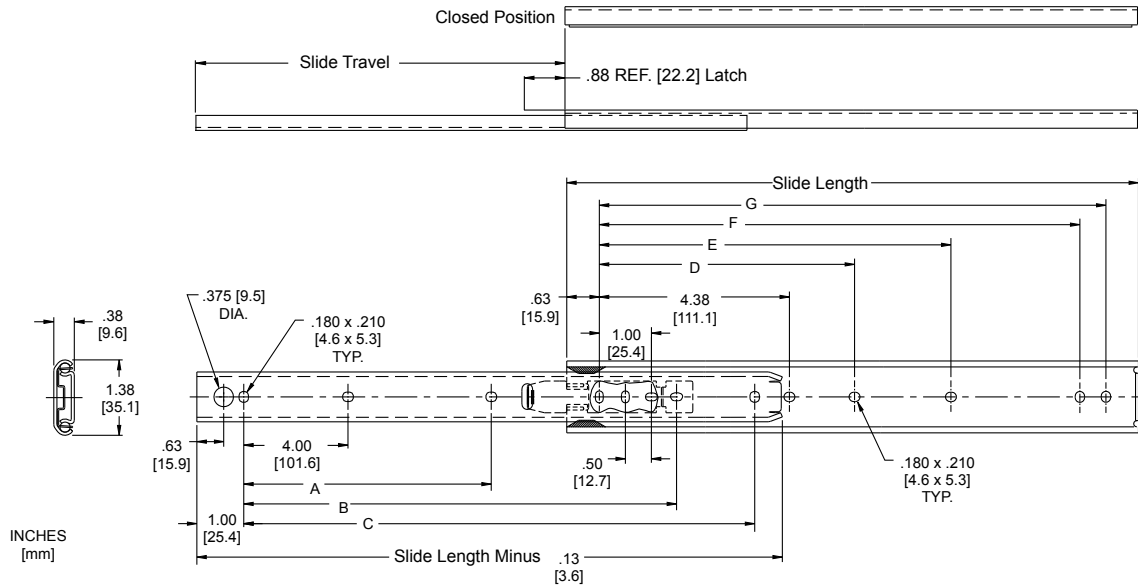
Part Number	Slide Length	Slide Travel	Load Rating lbs [kg] per pair *	A	B	C	D	E	F	G
201-12	12.00 [305]	9.00 [229]	108 [49]		6.00 [152.4]	10.00 [254.0]		5.87 [149.1]	10.25 [260.4]	10.75 [273.1]
201-14	14.00 [356]	11.00 [279]	103 [47]		8.00 [203.2]	12.00 [304.8]		7.87 [199.9]	12.25 [311.2]	12.75 [323.9]
201-16	16.00 [406]	12.00 [305]	95 [43]		10.00 [254.0]	14.00 [355.6]		9.87 [250.7]	14.25 [362.0]	14.75 [374.7]
201-18	18.00 [457]	13.00 [330]	90 [41]	8.00 [203.2]	12.00 [304.8]	16.00 [406.4]	8.37 [212.6]	11.87 [301.5]	16.25 [412.8]	16.75 [425.5]
201-20	20.00 [508]	15.00 [381]	82 [37]	9.00 [228.6]	14.00 [355.6]	18.00 [457.2]	9.37 [238.0]	13.87 [352.3]	18.25 [463.6]	18.75 [476.3]
201-22	22.00 [559]	16.00 [406]	75 [34]	10.00 [254.0]	16.00 [406.4]	20.00 [508.0]	10.37 [263.4]	15.87 [403.1]	20.25 [514.4]	20.75 [527.1]
201-24	24.00 [610]	17.00 [432]	67 [30]	11.00 [279.4]	18.00 [457.2]	22.00 [558.8]	11.37 [288.8]	17.87 [453.9]	22.25 [565.2]	22.75 [577.9]
201-26	26.00 [660]	19.00 [483]	60 [27]	12.00 [304.8]	20.00 [508.0]	24.00 [609.6]	12.37 [314.2]	19.87 [504.7]	24.25 [616.0]	24.75 [628.7]
201-28	28.00 [711]	20.00 [508]	55 [25]	13.00 [330.2]	22.00 [558.8]	26.00 [660.4]	13.37 [339.6]	21.87 [555.5]	26.25 [666.8]	26.75 [679.5]

DRAWER SLIDES

MODEL 204A-LR

APPLICATIONS: EIA rack-mount chassis, industrial work stations, data processing, mechanical devices, medical applications, tool boxes, and point-of-purchase displays. **This product is covered by U.S. and various foreign patents issued and/or pending.**

Lock-Out with Front Disconnect
Medium Duty, 3/4 Extension
Up to 140 lb. [64 kg.] Capacity*



Finish	Bright electro-zinc plating (C) or black zinc (CB) †	Mounting	Side, bracket, or hard mounting
Length	12"–28" [305 mm–711 mm]	Movement	Steel ball bearing
Travel	3/4 length of slide	Hardware	#8 pan head screw
Height	1.38" [35.1 mm]	Features	Positive lock-out with front disconnect, Positive rear stop
Load	Up to 140 lb. [64 kg.]		
Side Space	.38" [9.6 mm]		

† Minimum order quantities may apply.
* Load rating based on an 16" wide drawer cycled 10,000 times.

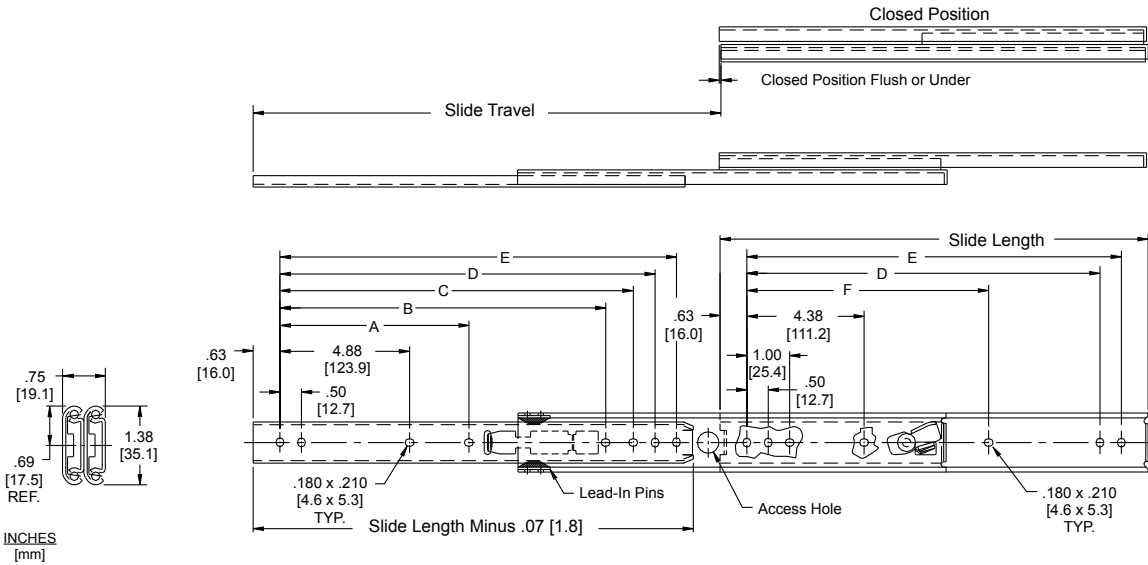
Part Number	Slide Length	Slide Travel	Load Rating *lbs. / [kg]	A	B	C	D	E	F	G
204-A12-LR	12.00 [305]	8.00 [203]	140 [64]		8.50 [215.9]	10.00 [254.0]		5.87 [149.1]	10.25 [260.4]	10.75 [273.1]
204-A14-LR	14.00 [356]	10.00 [254]	130 [59]		10.50 [266.7]	12.00 [304.8]		7.87 [199.9]	12.25 [311.2]	12.75 [323.9]
204-A16-LR	16.00 [406]	12.00 [305]	120 [55]		12.50 [317.5]	14.00 [355.6]		9.87 [250.7]	14.25 [362.0]	14.75 [374.7]
204-A18-LR	18.00 [457]	13.00 [330]	110 [50]	8.00 [203.2]	13.50 [342.9]	16.00 [406.4]	8.37 [212.6]	11.87 [301.5]	16.25 [412.8]	16.75 [425.5]
204-A20-LR	20.00 [508]	15.00 [381]	92 [42]	9.00 [228.6]	15.50 [393.7]	18.00 [457.2]	9.37 [238.0]	13.87 [352.3]	18.25 [463.6]	18.75 [476.3]
204-A22-LR	22.00 [559]	16.00 [406]	85 [39]	10.00 [254.0]	16.50 [419.1]	20.00 [508.0]	10.37 [263.4]	15.87 [403.1]	20.25 [514.4]	20.75 [527.1]
204-A24-LR	24.00 [610]	17.00 [432]	78 [35]	11.00 [279.4]	17.50 [444.5]	22.00 [558.8]	11.37 [288.8]	17.87 [453.9]	22.25 [565.2]	22.75 [577.9]
204-A26-LR	26.00 [660]	19.00 [483]	70 [32]	12.00 [304.8]	19.50 [495.3]	24.00 [609.6]	12.37 [314.2]	19.87 [504.7]	24.25 [616.0]	24.75 [628.7]
204-A28-LR	28.00 [711]	20.00 [508]	60 [27]	13.00 [330.2]	20.50 [520.7]	26.00 [660.4]	13.37 [339.6]	21.87 [555.5]	26.25 [666.8]	26.75 [679.5]

DRAWER SLIDES

MODEL 305A-LR

APPLICATIONS: EIA rack-mount chassis, data processing, video and telecommunication racks, electro/mechanical devices, and photographic equipment. Use model 305A-LR whenever recessed mounting and positive lock-out is required. **This product is covered by U.S. and various foreign patents issued and/or pending.**

Lock-Out With Front Disconnect
Over Travel, Medium Duty Slide
Up to 140 lb. [64 kg.] Capacity**



Finish	Bright electro-zinc (C) or black zinc † (CB) finish available	Sidespace	.38" (moving member) +.030/-0.00 [9.5 mm (moving member) +.75/-0.00]
Length	12"–28" [302 mm–711 mm]	Mounting	Side, bracket or hard mounting
Travel	Slide length plus .88" [22.2 mm]	Hardware	#8 pan head screw
Height	1.38" [35.1 mm]	Features	Positive lock-out with front disconnect
Load	140 lbs.* [64 kg.] per pair		

Part Number	Slide Length	Slide Travel	Load Rating lbs/[kg] pair	A	B	C	D	E	F
305-A12-LR	12.00 [305]	12.88 [327]	140 [64]				10.25 [260.4]	10.75 [273.1]	
305-A14-LR	14.00 [356]	14.88 [378]	132 [60]			11.75 [298.5]	12.25 [311.2]	12.75 [323.9]	
305-A16-LR	16.00 [406]	16.88 [429]	125 [57]			13.75 [349.3]	14.25 [362.0]	14.75 [374.7]	9.87 [250.8]
305-A18-LR	18.00 [457]	18.88 [480]	116 [53]	8.37 [212.7]		15.75 [400.1]	16.25 [412.8]	16.75 [425.5]	11.87 [301.6]
305-A20-LR	20.00 [508]	20.88 [530]	107 [49]	9.37 [238.1]	14.37 [365.1]	17.75 [450.9]	18.25 [463.6]	18.75 [476.3]	13.87 [352.4]
305-A22-LR	22.00 [559]	22.88 [581]	100 [45]	10.37 [263.5]	16.37 [415.9]	19.75 [501.7]	20.25 [514.4]	20.75 [527.1]	15.87 [403.2]
305-A24-LR	24.00 [610]	24.88 [632]	93 [42]	11.37 [288.9]	18.37 [466.7]	21.75 [552.5]	22.25 [565.2]	22.75 [577.9]	17.87 [454.0]
305-A26-LR	26.00 [660]	26.88 [683]	86 [39]	12.37 [314.3]	20.37 [517.5]	23.75 [603.3]	24.25 [616.0]	24.75 [628.7]	19.87 [504.8]
305-A28-LR	28.00 [711]	28.88 [734]	80 [36]	13.37 [339.7]	22.37 [568.3]	25.75 [654.1]	26.25 [666.8]	26.75 [679.5]	21.87 [555.6]

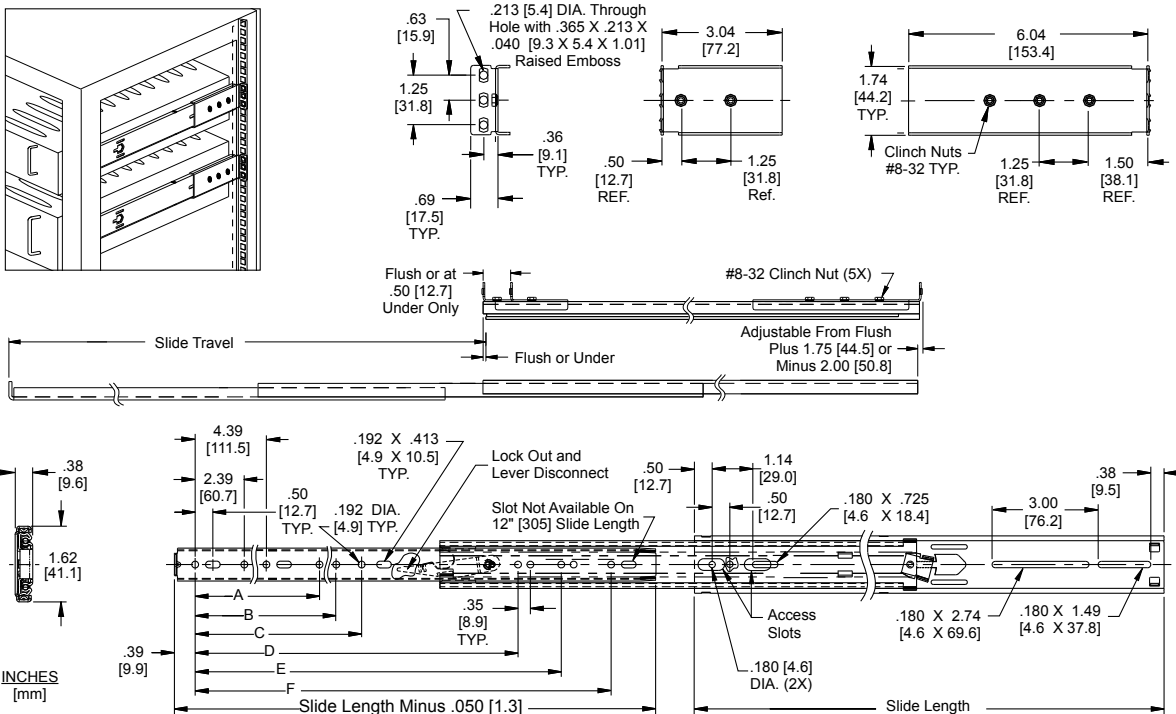
† Minimum order quantities may apply.
* Load rating based on a 12" slide on a 16" wide drawer cycled 10,000 times.

DRAWER SLIDES

MODEL 2907

APPLICATIONS: Use model 2907 whenever an ultra-thin, medium duty, over travel, rack-mount slide is required. For use on electronic chassis, keyboards, fantrays, and other rack-mount applications. Accommodates chassis from 1U to 4U. **This product is covered by U.S. and various foreign patents issued and/or pending.**

Electronic Enclosure Slide
Ball Bearing Movement
.38" [9.6 mm] Width
1.62" [41.1 mm] Height
2.00" [50.8 mm] Over Travel
Up to 115 lb. [▫] [52.3 kg] Capacity



- Finish** Clear electroplate (C) finish
- Length** 12"-30" [305 mm-762 mm]
- Height** 1.62" [41.1 mm]
- Load** See chart [▫]
- Side Space** .38" ± 0.030 ^{**} [9.6 mm ± 0.76 mm]
- Travel** 2.00" [50.8 mm] Over travel
- Mounting** Chassis Member: #8 pan head screw
- Features** Outer Member: Adjustable front and rear mounting brackets
Unhanded, lock-out and disconnect, lead-in pins

[▫] Load rating based on an 16" [406 mm] wide chassis cycled 2,000 times.
[‡] Brackets behind EIA rail with square.
^{**} No lateral adjustment with EIA rails using round or tapped holes.

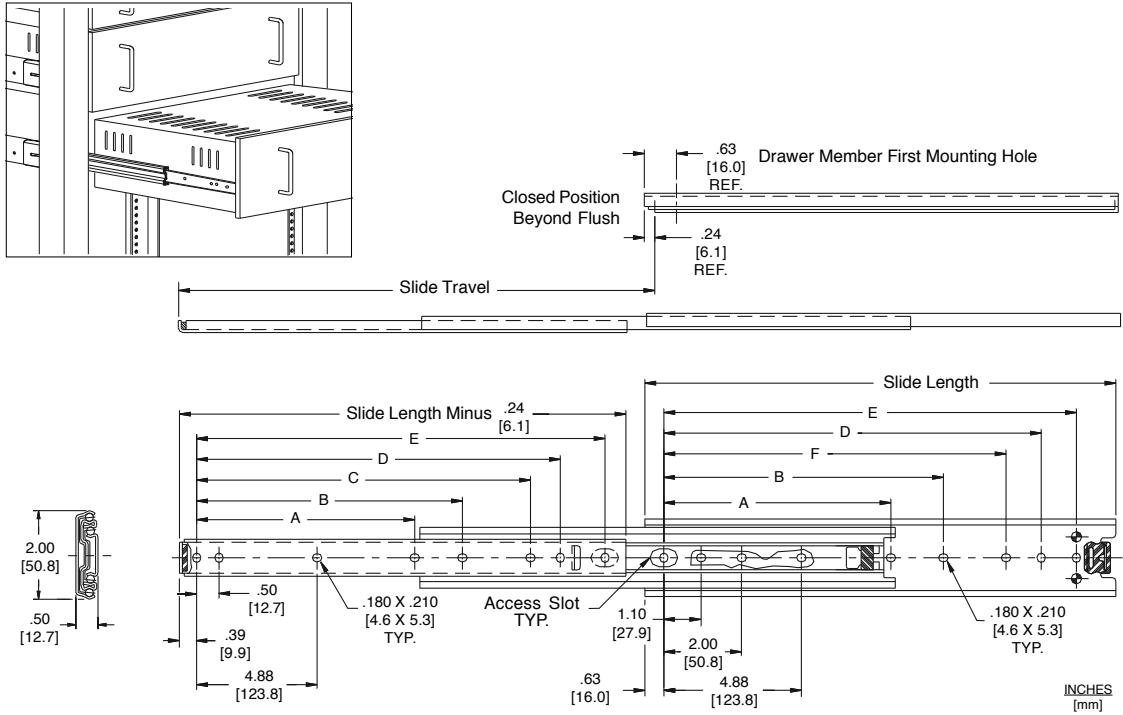
Part Number	Slide Length	Slide Travel	▫ Load Rating per Pair lb. [kg.]	A	B	C	D	E	F
2907-12	12.00 [305]	14.00 [356]	60 lb. [27.2 kg.]						9.25 [235.0]
2907-14	14.00 [356]	16.00 [406]	80 lb. [36.3 kg.]						11.25 [285.8]
2907-16	16.00 [406]	18.00 [457]	100 lb. [45.4 kg.]	6.40 [162.6]					13.25 [336.5]
2907-18	18.00 [457]	20.00 [508]	115 lb. [52.2 kg.]			6.49 [164.8]	12.38 [314.3]		15.25 [387.3]
2907-20	20.00 [508]	22.00 [559]	114 lb. [51.7 kg.]		6.78 [172.1]	8.00 [203.2]	14.03 [356.2]		17.25 [438.1]
2907-22	22.00 [559]	24.00 [610]	112 lb. [50.8 kg.]			8.39 [213.0]	16.03 [407.0]		19.25 [488.9]
2907-24	24.00 [610]	26.00 [660]	110 lb. [49.9 kg.]	10.00 [254.0]	10.78 [273.7]			18.03 [457.8]	21.25 [539.7]
2907-26	26.00 [660]	28.00 [711]	110 lb. [49.9 kg.]	5.53 [140.3]	9.15 [232.4]	10.60 [269.1]	16.40 [416.6]	20.03 [508.6]	23.25 [590.5]
2907-28	28.00 [711]	30.00 [762]	110 lb. [49.9 kg.]	7.53 [191.1]	11.15 [283.2]	12.00 [304.8]	18.40 [467.4]	22.03 [559.4]	25.25 [641.4]
2907-30	30.00 [762]	32.00 [813]	110 lb. [49.9 kg.]		9.53 [241.9]	12.60 [319.9]	20.40 [518.2]	24.03 [610.2]	27.25 [692.1]

DRAWER SLIDES

MODEL 3301

APPLICATIONS: EIA rack-mount chassis, power supply, disc/tape drive, industrial workstations, and dispensing equipment. Use model 3301 whenever a medium duty, positive stop, non-disconnect, over travel slide is required.

Medium Duty, Over Travel
Rack Mounted Slide
Optional Detent-In (DI) Feature Available
Up to 150 lb. [68 kg.] Capacity



- Finish** Bright electro-zinc (C) plating only
- Length** 12" - 28" [305mm - 711mm]
- Travel** Slide length plus 1" [25.4mm]
- Height** 2.00" [50.8mm]
- Sidespace** .50" +.015 / -.000 [12.7mm + 0.4 / - 0.0]
- Load** See chart *
- Mounting** Bracket or hard mounting
- Movement** Steel ball bearing
- Hardware** #8 pan head screw
- Also** Optional detent-in feature (ordered as "DI") available, silenced open/closed.

Part Number	Slide Length	Slide Travel	* Load Rating lb. [kg.] per pr	A	B	C	D	E	F
3301-12	12.00 [305]	13.00 [330]	150 [68.2]		6.38 [162.1]	8.75 [222.3]	9.25 [235.0]	10.25 [260.3]	8.25 [209.6]
3301-14	14.00 [356]	15.00 [381]	148 [67.3]		8.38 [212.8]	10.75 [273.1]	11.25 [285.8]	12.25 [311.2]	10.25 [260.3]
3301-16	16.00 [406]	17.00 [432]	147 [66.8]		10.38 [263.6]	12.75 [323.9]	13.25 [336.6]	14.25 [361.9]	12.25 [311.1]
3301-18	18.00 [457]	19.00 [483]	146 [66.4]	8.38 [212.8]	12.38 [314.4]	14.75 [374.7]	15.25 [387.4]	16.25 [412.7]	14.25 [361.9]
3301-20	20.00 [508]	21.00 [533]	145 [65.9]	9.38 [238.2]	14.38 [365.2]	16.75 [425.5]	17.25 [438.2]	18.25 [463.5]	16.25 [412.7]
3301-22	22.00 [559]	23.00 [584]	140 [63.6]	10.38 [263.6]	16.38 [416.0]	18.75 [476.3]	19.25 [489.0]	20.25 [514.3]	18.25 [463.5]
3301-24	24.00 [610]	25.00 [635]	135 [61.4]	11.38 [289.1]	18.38 [466.8]	20.75 [527.1]	21.25 [539.8]	22.25 [565.1]	20.25 [514.3]
3301-26	26.00 [660]	27.00 [686]	127 [57.7]	12.38 [314.4]	20.38 [517.6]	22.75 [577.9]	23.25 [590.6]	24.25 [615.9]	22.25 [565.1]
3301-28	28.00 [711]	29.00 [737]	120 [54.5]	13.38 [339.8]	22.38 [568.4]	24.75 [628.7]	25.25 [641.4]	26.25 [666.7]	24.25 [615.9]

* Load rating based on a 16" wide drawer cycled 10,000 times.

DRAWER SLIDES

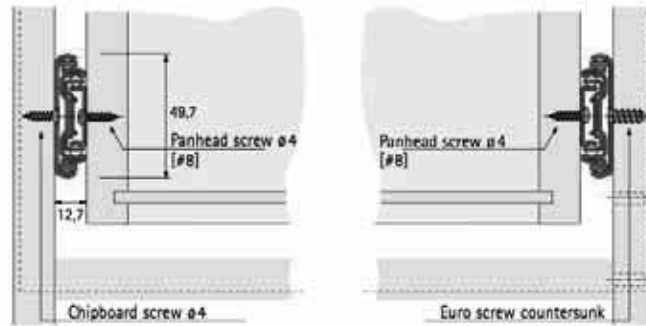
Over extension ball bearing slide – KA 4932 12,7 mm (1/2") installation width, detachable



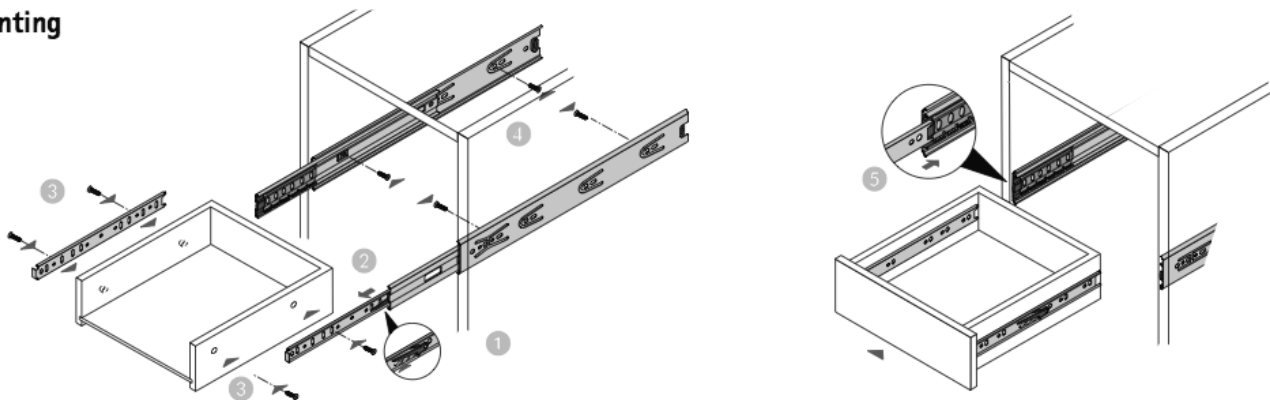
- Over extension ball bearing slide KA 4932 with 12,7 mm (1/2") installation width, in 10 lengths
- Telescopic precision over extension slide with pull-out stop and roll-out prevention
- For drawer lengths 250 to 700 mm [10" to 28"]
- Chromated steel
- Load capacity 130 lbs (60 kg)
- Drawer can be unlatched from the runner, making the drawer easy to remove and re-install.
- Smooth action and high lateral stability due to precision ball bearings

Article / Nominal length mm	Drawer length		Min. cabinet depth		Over extension	
	mm	inch	mm	inch	mm	inch
KA 4932/250	250	10	254	10-1/4	38	1-1/2
KA 4932/300	300	12	304	12-1/4	38	1-1/2
KA 4932/350	350	14	354	14-1/4	38	1-1/2
KA 4932/400	400	16	404	16-1/4	38	1-1/2
KA 4932/450	450	18	454	18-1/4	38	1-1/2
KA 4932/500	500	20	504	20-1/4	38	1-1/2
KA 4932/550	550	22	554	22-1/4	38	1-1/2
KA 4932/600	600	24	604	24-1/4	38	1-1/2
KA 4932/650	650	26	654	26-1/4	38	1-1/2
KA 4932/700	700	28	704	28-1/4	38	1-1/2

Available in black on request



Mounting

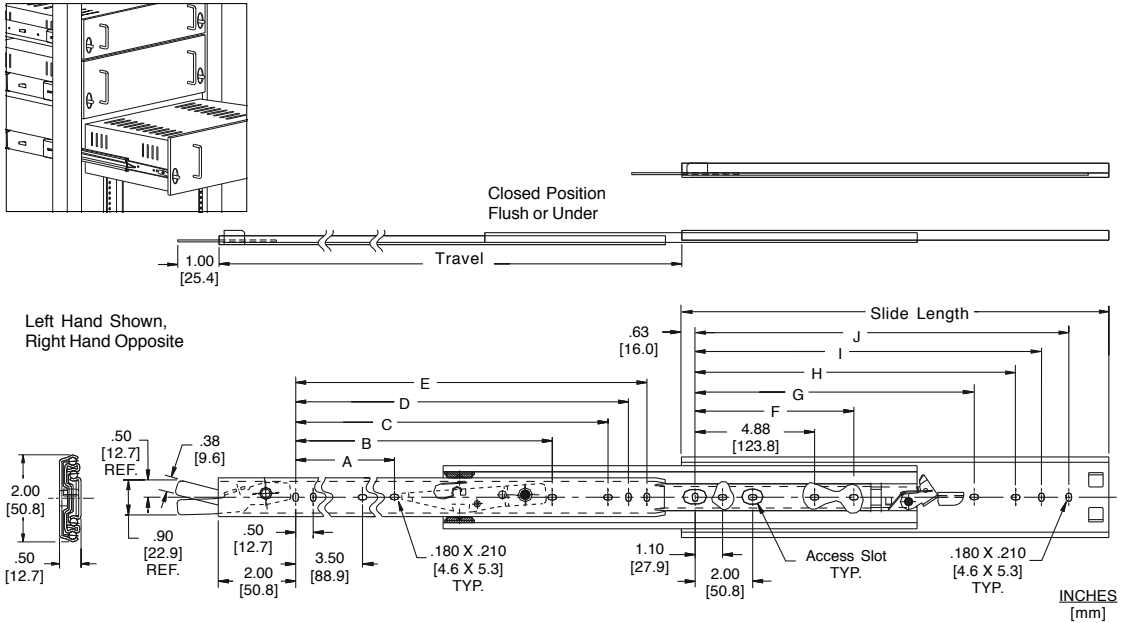


DRAWER SLIDES

MODEL 3308

APPLICATIONS: EIA rack-mount chassis, cash drawers, industrial workstations, medical emergency carts, and vending machines. Use model 3308 whenever a medium duty, over travel slide with lock in and out is required.

Medium Duty, Lever Disconnect
Over Travel, Lock-In, Lock-Out
Up to 150 lb. Capacity
Up to [68 kg.] Capacity



- Finish** Bright electro-zinc (C) plating only
- Length** 12" - 28" [305mm - 711mm]
- Travel** Slide length plus 1" [25.4mm]
- Height** 2.00" [50.8mm]
- Load** See Chart*
- Side Space** .50" +.015 / -.000 [12.7mm +0.4 / -0.0]
- Mounting** Bracket or hard mounting
- Movement** Steel ball bearing
- Hardware** #8 pan head screw
- Disconnect** Lever disconnect
- Features** Lock in holds chassis closed. Lock out holds chassis fully open. Lead-in pins guide chassis during reinsertion.

* Load rating based on a 16" wide drawer cycled 10,000 times.

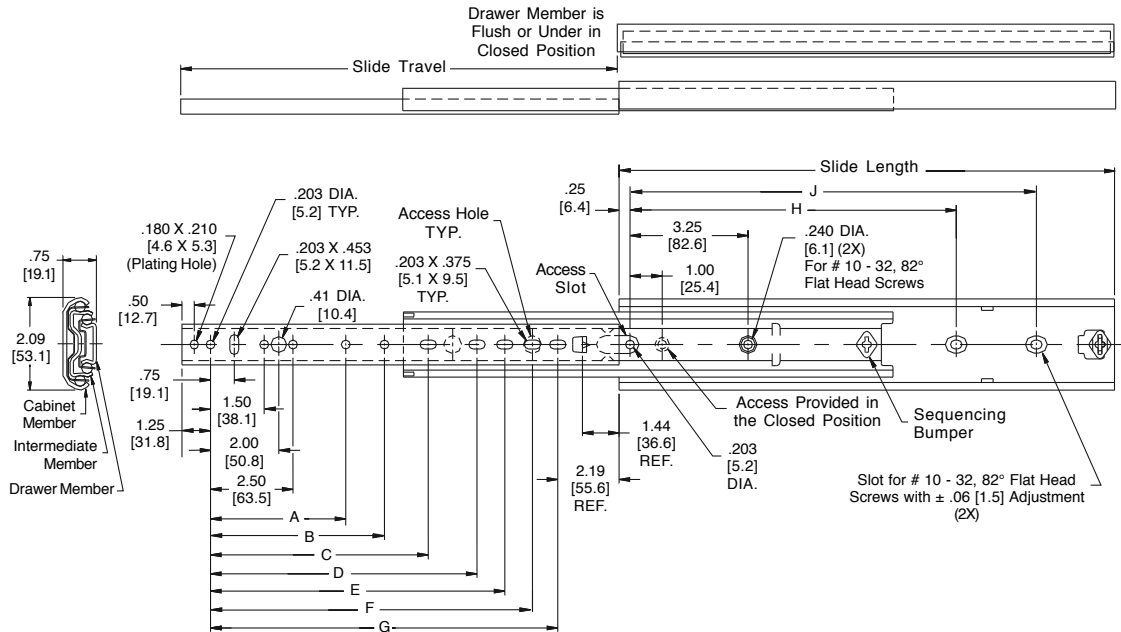
Part Number	Slide Length	Slide Travel	* Load Rating lb. [kg.] per pair	A	B	C	D	E	F	G	H	I	J
3308-12	12.00 [305]	13.00 [330]	150 [68.2]			7.88 [200.1]	8.38 [212.8]	8.88 [225.5]			8.25 [209.5]	9.25 [234.9]	10.25 [260.3]
3308-14	14.00 [356]	15.00 [381]	148 [67.3]			9.88 [250.9]	10.38 [263.6]	10.88 [276.3]			10.25 [260.3]	11.25 [285.7]	12.25 [311.1]
3308-16	16.00 [406]	17.00 [432]	147 [66.8]			11.88 [301.7]	12.38 [314.4]	12.88 [327.1]			12.25 [311.1]	13.25 [336.5]	14.25 [361.9]
3308-18	18.00 [457]	19.00 [483]	146 [66.4]	5.63 [143.0]	11.00 [279.4]	13.88 [352.5]	14.38 [365.2]	14.88 [377.9]	7.00 [177.8]	12.38 [314.4]	14.25 [361.9]	15.25 [387.3]	16.25 [412.7]
3308-20	20.00 [508]	21.00 [533]	145 [65.9]	6.63 [168.4]	13.00 [330.2]	15.88 [403.3]	16.38 [416.0]	16.88 [428.7]	8.00 [203.2]	14.38 [365.2]	16.25 [412.7]	17.25 [438.1]	18.25 [463.5]
3308-22	22.00 [559]	23.00 [584]	140 [63.6]	7.63 [193.8]	15.00 [381.0]	17.88 [454.1]	18.38 [466.8]	18.88 [479.5]	9.00 [228.6]	16.38 [416.0]	18.25 [463.5]	19.25 [488.9]	20.25 [514.3]
3308-24	24.00 [610]	25.00 [635]	135 [61.4]	8.63 [219.2]	17.00 [431.8]	19.88 [504.9]	20.38 [517.6]	20.88 [530.3]	10.00 [254.0]	18.38 [466.8]	20.25 [514.3]	21.25 [539.7]	22.25 [565.1]
3308-26	26.00 [660]	27.00 [686]	127 [57.7]	9.63 [244.6]	19.00 [482.6]	21.88 [555.7]	22.38 [568.4]	22.88 [581.1]	11.00 [279.4]	20.38 [517.6]	22.25 [565.1]	23.25 [590.5]	24.25 [615.9]
3308-28	28.00 [711]	29.00 [737]	120 [54.5]	10.63 [270.0]	21.00 [533.4]	23.88 [606.5]	24.38 [619.2]	24.88 [631.9]	12.00 [304.8]	22.38 [568.4]	24.25 [615.9]	25.25 [641.3]	26.25 [666.7]

DRAWER SLIDES

MODEL 3600

APPLICATIONS: Utility and industrial truck bodies, industrial work stations, heavy duty machine tools and mechanical devices. Use model 3600 whenever a heavy duty, full extension slide is required.

Heavy Duty Slide
Full Extension
Up to 273 lb. [124 kg.] Capacity



- Finish** Bright electro-zinc (C) plating
- Length** 12" to 28" [305mm to 711mm]
- Height** 2.09" [53.1mm]
- Load** See chart*
- Sidespace** .75" + .030/ - .000 [19.1mm + .76/ - .00]
- Travel** Full Travel
- Mounting** Side mount only
- Hardware** Drawer: # 10 - 32 X .50" with #8 slotted pan head
Cabinet: # 10 - 32, 82° flat head screw
- Movement** Steel ball bearings
- Features** Closed position hold-in detent

Part Number	Slide Length	Slide Travel	Load Rating lbs [kg]	A	B	C	D	E	F	G	H	J
3600-12	12.00 [304.8]	12.00 [304.8]	273 [124]	-	-	-	6.06 [154.0]	7.06 [179.4]	7.81 [198.4]	8.56 [217.5]	8.25 [209.6]	10.50 [266.7]
3600-14	14.00 [355.6]	14.00 [355.6]	267 [121]	-	-	-	8.06 [204.8]	9.06 [230.2]	9.81 [249.2]	10.56 [268.3]	10.25 [260.4]	12.50 [317.5]
3600-16	16.00 [406.4]	16.00 [406.4]	261 [118]	5.00 [127.0]	-	-	10.06 [255.6]	11.06 [281.0]	11.81 [300.0]	12.56 [319.1]	12.25 [311.2]	14.50 [368.3]
3600-18	18.00 [457.2]	18.00 [457.2]	253 [115]	5.00 [127.0]	-	9.56 [242.9]	12.06 [306.4]	13.06 [331.8]	13.81 [350.8]	14.56 [369.9]	14.25 [362.0]	16.50 [419.1]
3600-20	20.00 [508.0]	20.00 [508.0]	244 [111]	5.00 [127.0]	7.50 [190.5]	11.56 [293.7]	14.06 [357.2]	15.06 [382.6]	15.81 [401.6]	16.56 [420.7]	16.25 [412.8]	18.50 [469.9]
3600-22	22.00 [558.8]	22.00 [558.8]	233 [106]	5.00 [127.0]	7.50 [190.5]	13.56 [344.5]	16.06 [408.0]	17.06 [433.4]	17.81 [452.4]	18.56 [471.5]	18.25 [463.6]	20.50 [520.7]
3600-24	24.00 [609.6]	24.00 [609.6]	220 [100]	5.00 [127.0]	7.50 [190.5]	15.56 [395.3]	18.06 [458.8]	19.06 [484.2]	19.81 [503.2]	20.56 [522.3]	20.25 [514.4]	22.50 [571.5]
3600-26	26.00 [660.4]	26.00 [660.4]	203 [92]	5.00 [127.0]	7.50 [190.5]	17.56 [446.1]	20.06 [509.6]	21.06 [535.0]	21.81 [554.0]	22.56 [573.1]	22.25 [565.2]	24.50 [622.3]
3600-28	28.00 [711.2]	28.00 [711.2]	182 [83]	5.00 [127.0]	7.50 [190.5]	19.56 [496.9]	22.06 [560.4]	23.06 [585.8]	23.81 [604.8]	24.56 [623.9]	24.25 [616.0]	26.50 [673.1]

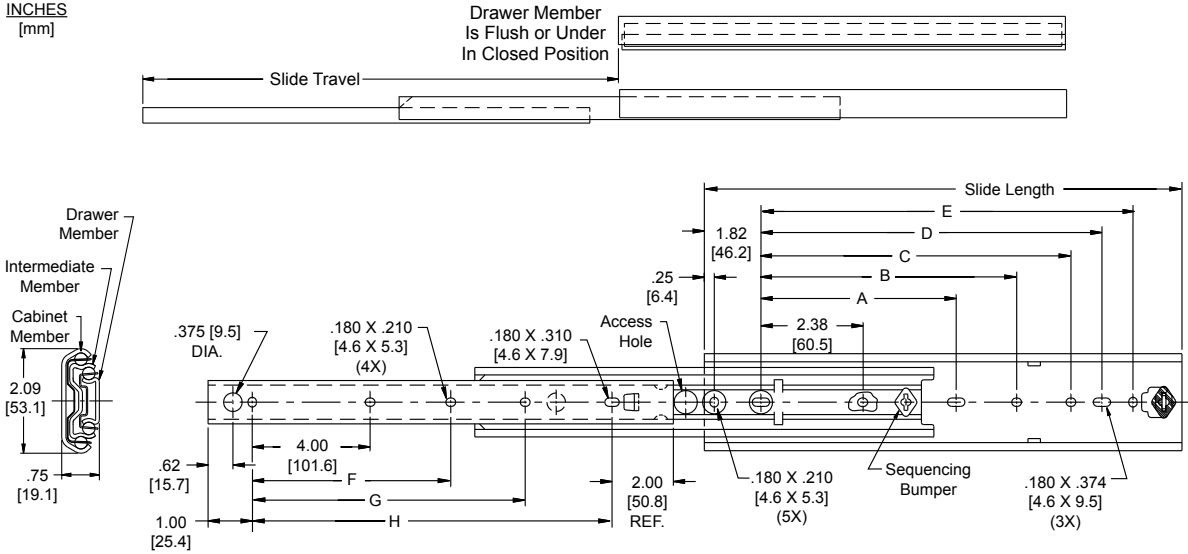
* Load rating based on slides mounted in a 16" wide drawer cycled 10,000 times.

DRAWER SLIDES

MODEL 3601

Applications: Utility and industrial truck bodies, industrial work stations, heavy duty machine tools and mechanical devices. Use model 3601 whenever a heavy duty, over travel slide is required.

Three Member, Over Travel
Heavy Duty Slide
Up to 255 lb.* [116 kg.] Capacity



Finish	Bright electro-zinc (C) plating	Load Rating	See chart*
Length	12" to 28" [304.85mm to 711.2mm]	Mounting	Side, bracket or hard mounting
Travel	Length plus 1" [25.4mm]	Hardware	#8 pan head screws
Height	2.09" [53.1mm]	Movement	Steel ball bearings
Side Space	.75" + .030 / - .000 [19.1mm + .76mm / -0.00]	Features	Closed position hold-in detent

* Load rating based on an 18" slide in a 16" wide drawer cycled 10,000 times.

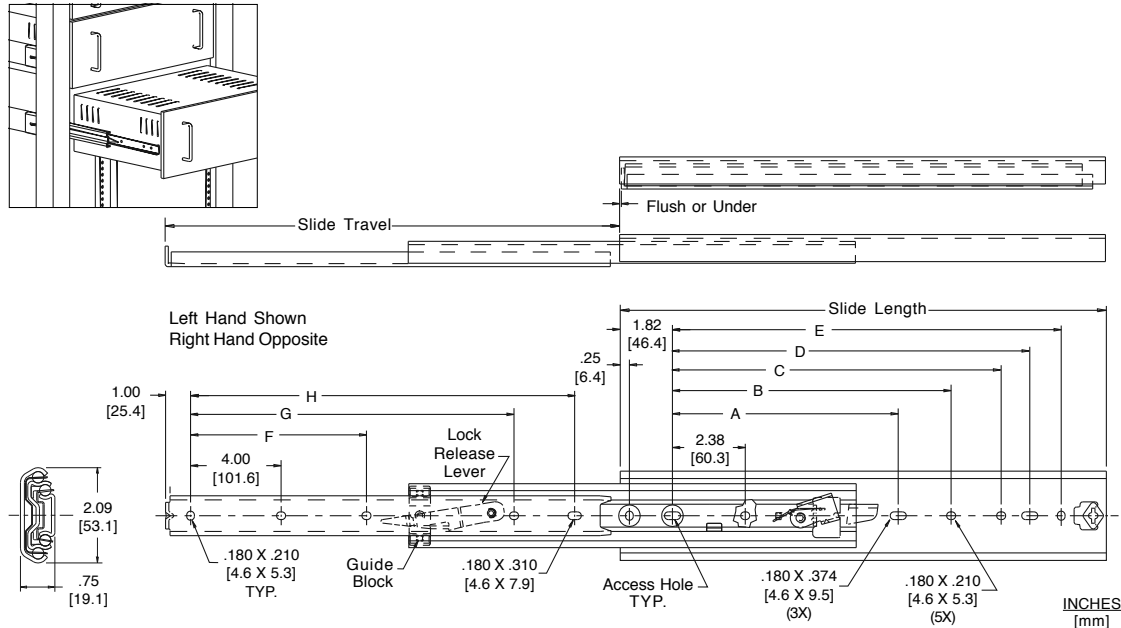
Part Number	Slide Length	Slide Travel	Load* Rating lbs [kg]	A	B	C	D	E	F	G	H
3601-12	12.00 [304.8]	13.00 [330.2]	255 [116]	-	5.33 [135.4]	7.05 [179.1]	8.05 [204.5]	9.05 [229.9]		6.13 [155.6]	9.00 [228.6]
3601-14	14.00 [355.6]	15.00 [381.0]	248 [112]	-	7.33 [186.2]	9.05 [229.9]	10.05 [255.3]	11.05 [280.7]		8.13 [206.4]	11.00 [279.4]
3601-16	16.00 [406.4]	17.00 [431.8]	241 [109]	-	9.33 [237.0]	11.05 [280.7]	12.05 [306.1]	13.05 [331.5]		10.13 [257.2]	13.00 [330.2]
3601-18	18.00 [457.2]	19.00 [482.6]	234 [106]	7.50 [190.5]	11.33 [287.8]	13.05 [331.5]	14.05 [356.9]	15.05 [382.3]		12.13 [308.0]	15.00 [381.0]
3601-20	20.00 [508.0]	21.00 [533.4]	225 [102]	8.50 [215.9]	13.33 [338.6]	15.05 [382.3]	16.05 [407.7]	17.05 [433.1]	8.00 [203.2]	14.13 [358.8]	17.00 [431.8]
3601-22	22.00 [558.8]	23.00 [584.2]	215 [98]	9.50 [241.3]	15.33 [389.4]	17.05 [433.1]	18.05 [458.5]	19.05 [483.9]	9.00 [228.6]	16.13 [409.6]	19.00 [482.6]
3601-24	24.00 [609.6]	25.00 [635.0]	203 [92]	10.50 [266.7]	17.33 [440.2]	19.05 [483.9]	20.05 [509.3]	21.05 [534.7]	10.00 [254.0]	18.13 [460.4]	21.00 [533.4]
3601-26	26.00 [660.4]	27.00 [685.8]	188 [85]	11.50 [292.1]	19.33 [491.0]	21.05 [534.7]	22.05 [560.1]	23.05 [585.5]	11.00 [279.4]	20.13 [511.2]	23.00 [584.2]
3601-28	28.00 [711.2]	29.00 [736.6]	169 [77]	12.50 [317.5]	21.33 [541.8]	23.05 [585.5]	24.05 [610.9]	25.05 [636.3]	12.00 [304.8]	22.13 [562.0]	25.00 [653.0]

DRAWER SLIDES

MODEL 3607

APPLICATIONS: Industrial work stations, heavy duty machine tools and mechanical devices. Use model 3607 whenever a heavy duty slide with positive lock-out is required.

Lock-Out with Front Disconnect
Three Member, Full Extension
Heavy Duty Slide
Up to 273 lb. (124 kg.) Capacity




Finish	Bright electro-zinc (C) plating	Travel	Full travel
Length	12" to 28" [305mm to 711mm]	Mounting	Side, bracket, or hard mounting
Height	2.09" [53.1mm]	Hardware	#8 pan head screws
Load	See chart*	Movement	Steel ball bearings
Side space	.75" + .030/ - .000 [19.1mm + .76/ - .00]	Features	Positive lock-out and disconnect, handed slide

Part Number	Slide Length	Slide Travel	Load Rating * lbs [kg]	A	B	C	D	E	F	G	H
C3607-12	12.00 [305]	12.00 [305]	273 [124]		5.33 [135.4]	7.05 [179.1]	8.05 [204.5]	9.05 [229.9]			9.00 [228.6]
C3607-14	14.00 [356]	14.00 [356]	267 [121]		7.33 [186.2]	9.05 [229.9]	10.05 [255.3]	11.05 [280.7]			11.00 [279.4]
C3607-16	16.00 [406]	16.00 [406]	261 [119]		9.33 [237.0]	11.05 [280.7]	12.05 [306.1]	13.05 [331.5]		10.13 [257.3]	13.00 [330.2]
C3607-18	18.00 [457]	18.00 [457]	253 [115]		11.33 [287.8]	13.05 [331.5]	14.05 [356.9]	15.05 [382.3]		12.13 [308.1]	15.00 [381.0]
C3607-20	20.00 [508]	20.00 [508]	244 [111]	8.50 [215.9]	13.33 [338.6]	15.05 [382.3]	16.05 [407.7]	17.05 [433.1]	8.00 [203.2]	14.13 [358.9]	17.00 [431.8]
C3607-22	22.00 [559]	22.00 [559]	233 [106]	9.50 [241.3]	15.33 [389.4]	17.05 [433.1]	18.05 [458.5]	19.05 [483.9]	9.00 [228.6]	16.13 [409.7]	19.00 [482.6]
C3607-24	24.00 [610]	24.00 [610]	220 [100]	10.50 [266.7]	17.33 [440.2]	19.05 [483.9]	20.05 [509.3]	21.05 [534.7]	10.00 [254.0]	18.13 [460.5]	21.00 [533.4]
C3607-26	26.00 [660]	26.00 [660]	203 [92]	11.50 [292.1]	19.33 [491.0]	21.05 [534.7]	22.05 [560.1]	23.05 [585.5]	11.00 [279.4]	20.13 [511.3]	23.00 [584.2]
C3607-28	28.00 [711]	28.00 [711]	182 [83]	12.50 [317.5]	21.33 [541.8]	23.05 [585.5]	24.05 [610.9]	25.05 [636.3]	12.00 [304.8]	22.13 [562.1]	25.00 [635.0]

* Load rating based on slides mounted in a 16" wide drawer cycled 10,000 times.

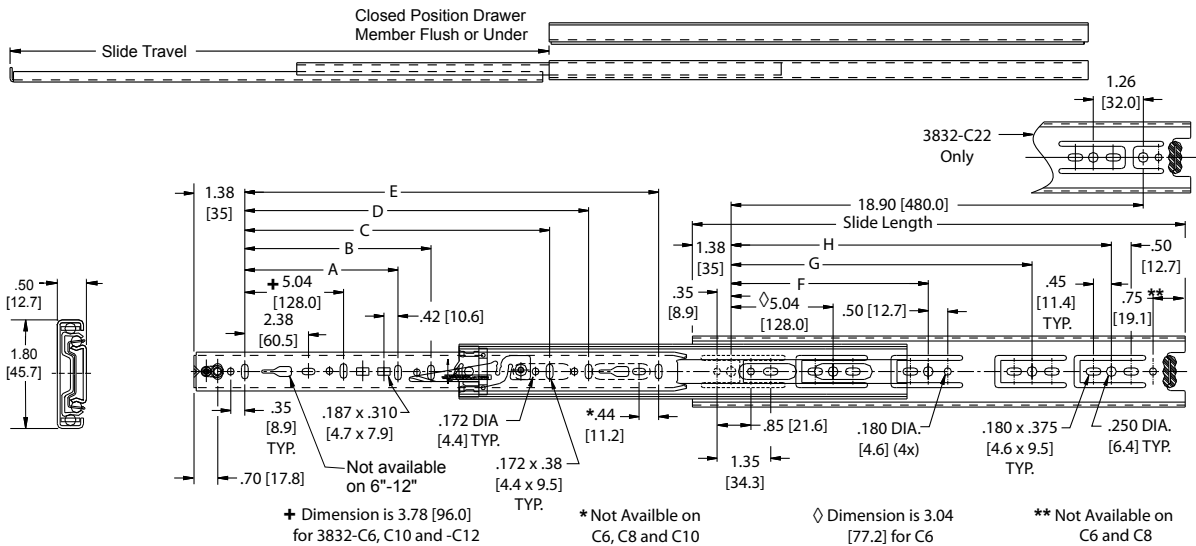
DRAWER SLIDES

MODEL 3832C, 3834C 
Vertical Drawer Adjustment Cam
32 mm System Box Drawer Slide
Up To 100 lb. [45.5] Capacity*

APPLICATIONS: For use in wood pedestals, dresser and desk drawers, casework, residential and kitchen cabinetry. **Not intended for lateral file drawer applications.†** Use for side mount only. This product is covered by U.S. (5,980,007), (488,712) and various foreign patents issued and/or pending.

3832C, 3834C QUICK REFERENCE

Side Space: (.50" + 0.031) x 2
Length: 3832C-6"-28"
3834C-12"-28"
Height: 1.80"
Load: 3832C-100 lbs. •
3834C-90 lbs. •



Finish 3832C: Bright electro-zinc (C), black zinc (CB), white electrocoating (EW), H-coat (CH) 3832 only ■
3834C: Bright electro-zinc (C), black zinc (CB) ■

Length 3832C: 6"-28" [140 mm-700 mm]
3834C: 12"-28" [300 mm-700 mm]

Travel 3832C: Full extension
3834C: 1" Over travel

Height 1.80" [45.7 mm]

Load 3832C: 100 lbs. [45.5kg.] •
3834C: 90 lbs. [41.0 kg.] •

Side Space .50" +0.031 / -0.0 [12.7 mm +.8 / -0.0]

Disconnect Front, handed lever

Mounting Side, optional face frame brackets

Hardware Flat head 6 mm Euro System screw or #8 pan head screw, stainless steel screws for (CH) finish only.

Ball Bearings C & CB finish: Steel
EW finish: Acetal polymer in drawer member
CH finish: Stainless steel

Features Drawer member vertical adjustment cam, hold-in detent; silenced open and closed; 32 mm spacing on cabinet member holes

Optional Weather Resistant Finish (CH) 3832 only Electro-zinc plating with H-coat overcoat provides 8 times more protection for installations subjected to indirect weather conditions. Includes stainless steel ball retainer and rivets.

Part Number	Slide Length	Slide Travel 3832	Slide Travel 3834	A	B	C	D	E	F	G	H
3832-C6	5.84 [148]	5.50 [140]									
3832-C8	7.84 [199]	8.00 [203]						5.56 [141]			
3832-C10	9.84 [250]	9.57 [243]						7.56 [192]			
3832-C12	11.81 [300]	12.00 [305]	13.00 [330]					9.52 [242]	8.82 [224]		
3832-C14	13.78 [350]	14.00 [356]	15.00 [381]					11.50 [292]	8.82 [224]		
3832-C16	15.75 [400]	16.00 [406]	17.00 [432]					13.47 [342]	8.82 [224]	12.60 [320]	
3832-C18	17.72 [450]	18.00 [457]	19.00 [483]			12.60 [320]		15.43 [392]	8.82 [224]	13.86 [352]	
3832-C20	19.69 [500]	20.00 [508]	21.00 [533]			12.60 [320]		17.40 [442]	8.82 [224]	16.38 [416]	
3832-C22	21.65 [550]	22.00 [559]	23.00 [584]			12.60 [320]	16.38 [416]	19.37 [492]	8.82 [224]	13.86 [352]	17.64 [448]
3832-C24	23.62 [600]	24.00 [610]	25.00 [635]	8.82 [224]		16.38 [416]		21.34 [542]	8.82 [224]	13.86 [352]	18.90 [480]
3832-C26	25.59 [650]	26.00 [660]	27.00 [686]	8.82 [224]		16.38 [416]	21.42 [544]	23.31 [592]	8.82 [224]	13.86 [352]	21.42 [544]
3832-C28	27.56 [700]	28.00 [711]	29.00 [737]	8.82 [224]	11.34 [288]	16.38 [416]	21.42 [544]	25.28 [642]	8.82 [224]	13.86 [352]	21.42 [544]

† A lateral file drawer is wider than it is deep
▲ Not available on 3834-22
• Load rating based on 18" slides mounted in a 16" wide drawer cycled 50,000 times.
■ Clear and white finishes are RoHS compliant.

Industrial Hardware Distributors, Inc.

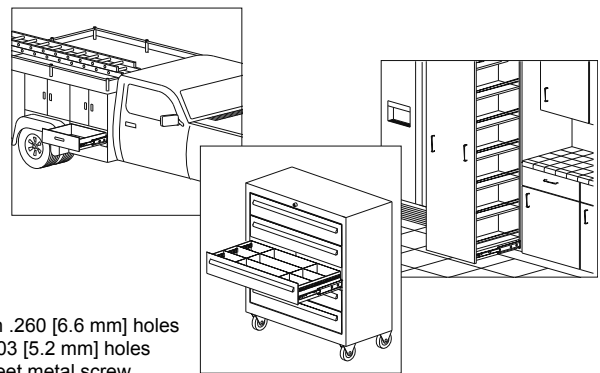
620 Spicer St., Akron, OH 44311 • 800.824.1864 | 3415 S.W. 6th St., Ocala, FL 34474 • 800.682.8900
www.industrialhwe.com

DRAWER SLIDES

MODEL 9301

Extra Heavy Duty
Full extension Drawer Slide
Up to 500 lb. [227 kg.] Load Rating
Optional Accessory Platform Brackets*

Finish	Bright electro-zinc (C) Plating	
Length	Even Lengths 10"-36", 40", 42", 44" 48", and 60" Even Lengths [254.0 mm-914.4 mm, 1016.0 mm, 1066.8 mm, 1117.6 mm, 1219.2 mm, 1371.6 mm, and 1524.0 mm]	
Travel	Full extension	
Height	3.00" [76.2 mm]	
Load Rating	Moderate Use	500 lbs. [227.3 kg.]
	Frequent Use	400 lbs. [181.8 kg.]
	Mobile (Vehicular)	300 lbs. [136.4 kg.]
	Flat Mount	150 lbs. [68.2 kg.]
Side Space	.75" (+.031, -.000) [19.1 mm (+.79, -.00)]	
Mounting	Side or flat Optional accessory platform brackets available	
Movement	Steel ball bearings	
Hardware	Customer supplied mounting hardware Metal Applications: 1/4" hex-head or pan head [M6 Euro] screw with .260 [6.6 mm] holes -or- hex-head or pan head [M5 Euro] screw with .203 [5.2 mm] holes Wood applications: 1/4" lag or sheet metal screw -or- #10 lag or sheet metal screw. Maximum screw head of .190 [4.8 mm] high by .500 [12.7 mm] diameter for clearance	
Features	Bumper provides extra silencing during drawer closure	



Mounting Instructions

Side Mounting

With the slides fully extended, install cabinet member (outer member) with customer supplied 1/4" hex-head or pan head [M6 Euro] screws through the horizontal slots. Be sure slides are parallel. Attach drawer to extended inner member with customer supplied 1/4" hex-head or pan head [M6 Euro] screws through the vertical slots. Leave all screws loose for final adjustment. Adjust slide position until movement is smooth. Tighten all screws and if necessary, use more screws to secure slides and complete installation. See Figure 1.

Flat Mounting

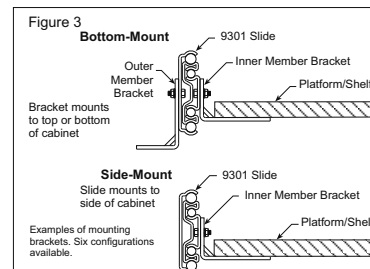
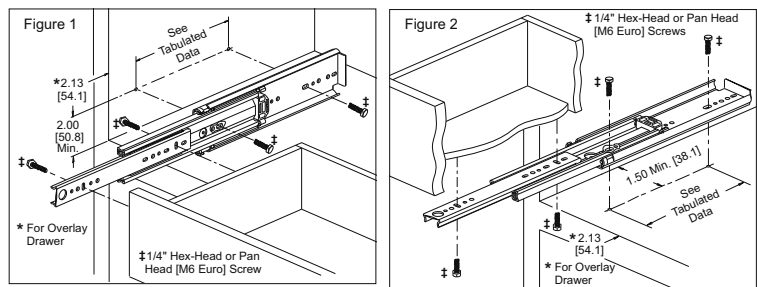
Position large slide members on cabinet floor as shown in Figure 2. Make sure slides are parallel. Ensure slides are flush with edge of drawer bottom. With the slides fully extended, install cabinet member (outer member) with customer supplied 1/4" hex-head or pan head [M6 Euro] screws through the horizontal slots and secure in place. Install customer supplied 1/4" hex-head or pan head [M6 Euro] screws through vertical slots into the bottom of the drawer. Leave all screws loose for final adjustment. Adjust slide position until movement is smooth. Tighten all screws and if necessary, use more screws to secure slides and complete installation. See Figure 2.

Optional Platform Bracket Kits

Brackets provide four bottom-mount and two side-mount options. For bottom-mount, one bracket attaches to the slide outer member and the cabinet base. The other bracket attaches to the slide inner member and the platform or tray. For side-mount, the bracket attaches to the slide inner member. See Figure 3 for examples of both mounting options. When the brackets are used either individually or in combination, they will accommodate all slide lengths. Each kit contains two brackets, four 1/4" hex-head screws, and four 1/4" hex nuts with lock washers. See separate platform bracket data sheet for more information.

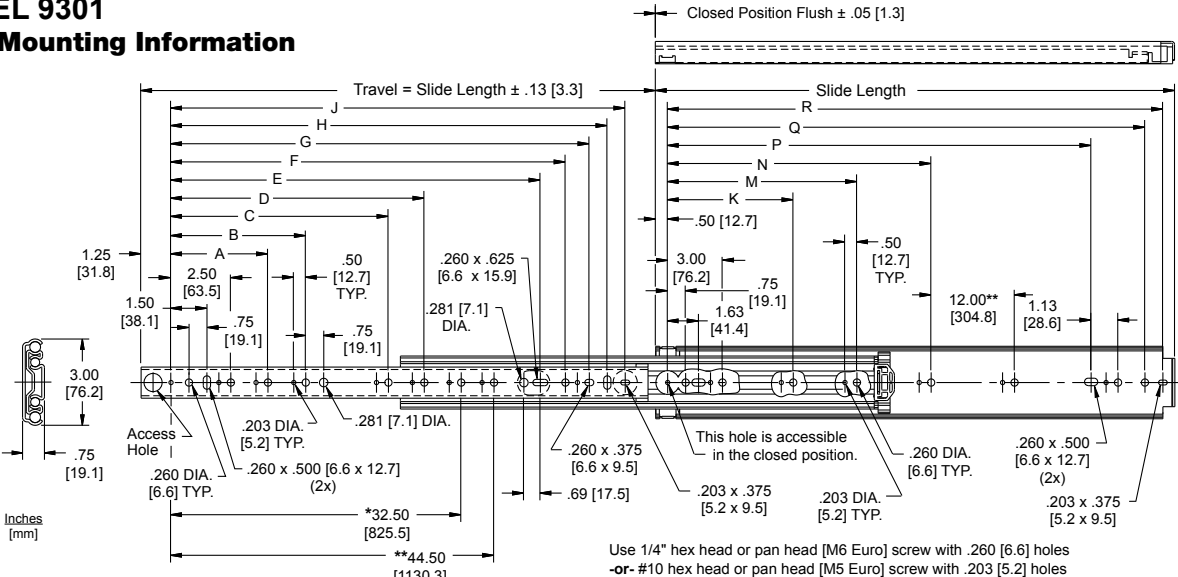
Specifications

Slide members: Cold rolled steel
Ball retainers: Polymer
Ball bearings: Carburized steel



DRAWER SLIDES

MODEL 9301 Slide Mounting Information



Use 1/4" hex head or pan head [M6 Euro] screw with .260 [6.6] holes
 -or- #10 hex head or pan head [M5 Euro] screw with .203 [5.2] holes
 for mounting through slide members. Maximum screw head of .190 [4.8]
 high by .500 [12.7] diameter necessary to clear traversing members.

* Available on 9301-48, 54 and 9301-60 only.
 ** Available on 9301-60 only

Part Number	Slide Length	Slide Travel	A	B	C	D	E	F	G	H	J	K	M	N	P	Q	R
9301-10	10.00 [254.0]	10.00 [254.0]						4.06 [103.1]	5.06 [128.5]	5.81 [147.6]	6.56 [166.6]			6.00 [152.4]	8.25 [209.6]	9.00 [228.6]	
9301-12	12.00 [304.8]	12.00 [304.8]						6.06 [153.9]	7.06 [179.3]	7.81 [198.4]	8.56 [217.4]			8.00 [203.2]	10.25 [260.4]	11.00 [279.4]	
9301-14	14.00 [355.6]	14.00 [355.6]						8.06 [204.7]	9.06 [230.1]	9.81 [249.2]	10.56 [268.2]			10.00 [254.0]	12.25 [311.2]	13.00 [330.2]	
9301-16	16.00 [406.4]	16.00 [406.4]	5.00 [127.0]					10.06 [255.5]	11.06 [280.9]	11.81 [299.9]	12.56 [319.0]			12.00 [304.8]	14.25 [361.9]	15.00 [381.0]	
9301-18	18.00 [457.2]	18.00 [457.2]	5.00 [127.0]				9.69 [246.1]	12.06 [306.3]	13.06 [331.7]	13.81 [350.8]	14.56 [369.8]			14.00 [355.6]	16.25 [412.8]	17.00 [431.8]	
9301-20	20.00 [508.0]	20.00 [508.0]	5.00 [127.0]	7.50 [190.5]				11.69 [296.9]	14.06 [357.1]	15.06 [382.5]	15.81 [401.6]	16.56 [420.6]			16.00 [406.4]	18.25 [463.6]	19.00 [482.6]
9301-22	22.00 [558.8]	22.00 [558.8]	5.00 [127.0]	7.50 [190.5]				13.69 [347.7]	16.06 [407.9]	17.06 [433.3]	17.81 [452.4]	18.56 [471.4]			18.00 [457.2]	20.25 [514.4]	21.00 [533.4]
9301-24	24.00 [609.6]	24.00 [609.6]	5.00 [127.0]	7.50 [190.5]				15.69 [398.5]	18.06 [458.7]	19.06 [484.1]	19.81 [503.2]	20.56 [522.2]			20.00 [508.0]	22.25 [565.2]	23.00 [584.2]
9301-26	26.00 [660.4]	26.00 [660.4]	5.00 [127.0]	7.50 [190.5]				17.69 [449.3]	20.06 [509.5]	21.06 [534.9]	21.81 [553.9]	22.56 [573.0]			22.00 [558.8]	24.25 [615.9]	25.00 [635.0]
9301-28	28.00 [711.2]	28.00 [711.2]	5.00 [127.0]	7.50 [190.5]				19.69 [500.1]	22.06 [560.3]	23.06 [585.7]	23.81 [604.8]	24.56 [623.8]			24.00 [609.6]	26.25 [666.8]	27.00 [685.8]
9301-30	30.00 [762.0]	30.00 [762.0]	5.00 [127.0]	7.50 [190.5]	14.50 [368.3]			21.69 [550.9]	24.06 [611.1]	25.06 [636.5]	25.81 [655.6]	26.56 [674.6]	9.25 [234.9]	19.75 [501.6]	26.00 [660.4]	28.25 [717.6]	29.00 [736.6]
9301-32	32.00 [812.8]	32.00 [812.8]	5.00 [127.0]	7.50 [190.5]	14.50 [368.3]			23.69 [601.7]	26.06 [661.9]	27.06 [687.3]	27.81 [706.4]	28.56 [725.4]	9.25 [234.9]	15.50 [393.7]	21.75 [552.5]	28.00 [711.2]	30.25 [768.4]
9301-34	34.00 [863.6]	34.00 [863.6]	5.00 [127.0]	7.50 [190.5]	14.50 [368.3]	18.50 [469.9]		25.69 [652.5]	28.06 [712.7]	29.06 [738.1]	29.81 [757.2]	30.56 [776.2]	9.25 [234.9]	16.50 [419.1]	23.75 [603.3]	30.00 [762.0]	32.25 [819.2]
9301-36	36.00 [914.4]	36.00 [914.4]	5.00 [127.0]	7.50 [190.5]	14.50 [368.3]	20.50 [520.7]		27.69 [703.3]	30.06 [763.5]	31.06 [788.9]	31.81 [807.9]	32.56 [827.0]	9.25 [234.9]	17.50 [444.5]	25.75 [654.1]	32.00 [812.8]	34.25 [869.0]
9301-40	40.00 [1016.0]	40.00 [1016.0]	5.00 [127.0]	7.50 [190.5]	14.50 [368.3]	20.50 [520.7]		31.69 [804.9]	34.06 [865.1]	35.06 [890.5]	35.81 [909.6]	36.56 [928.6]	9.25 [235.0]	21.50 [546.1]	29.75 [755.7]	36.00 [914.4]	38.25 [971.6]
9301-42	42.00 [1066.8]	42.00 [1066.8]	5.00 [127.0]	7.50 [190.5]	14.50 [368.3]	20.50 [520.7]		33.69 [855.7]	36.06 [915.9]	37.06 [941.3]	37.81 [960.4]	38.56 [979.4]	9.25 [235.0]	21.50 [546.1]	31.75 [806.5]	38.00 [965.2]	40.25 [1022.4]
9301-44	44.00 [1117.6]	44.00 [1117.6]	5.00 [127.0]	7.50 [190.5]	14.50 [368.3]	20.50 [520.7]		35.69 [906.5]	38.06 [966.7]	39.06 [992.1]	39.81 [1011.2]	40.56 [1030.2]	9.25 [235.0]	21.50 [546.1]	33.75 [857.3]	40.00 [1016.0]	42.25 [1073.2]
9301-48	48.00 [1219.2]	48.00 [1219.2]	5.00 [127.0]	7.50 [190.5]	14.50 [368.3]	20.50 [520.7]		39.69 [1008.1]	42.06 [1068.3]	43.06 [1093.7]	43.81 [1112.8]	44.56 [1131.8]	9.25 [234.9]	23.50 [596.9]	37.75 [958.9]	44.00 [1117.6]	46.25 [1174.8]
9301-60	60.00 [1524.0]	60.00 [1524.0]	5.00 [127.0]	7.50 [190.5]	14.50 [368.3]	20.50 [520.7]		51.69 [1312.9]	54.06 [1373.1]	55.06 [1398.5]	55.81 [1417.6]	56.56 [1436.6]	9.25 [234.9]	23.50 [596.9]	37.75 [958.9]	56.00 [1422.4]	58.25 [1479.6]

DRAWER SLIDES

MODEL 9308 LOCK-IN/LOCK-OUT

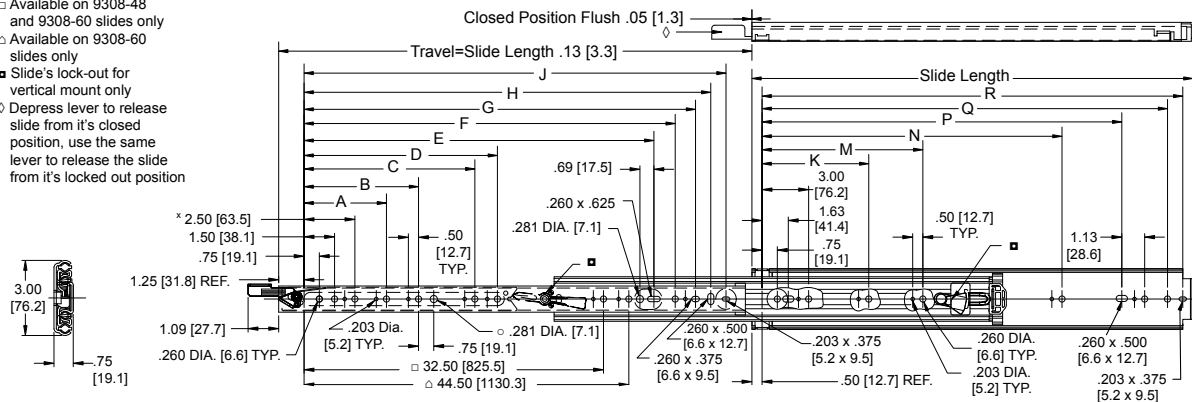
MODEL 9307 LOCK-OUT

APPLICATIONS: Designed for use in heavy-duty mobile and vehicular applications where a lock-in and lock-out are required. **This product is covered by U.S. and various foreign patents issued and/or pending.**

Extra Heavy-Duty, Full Extension
Up to 500 lb. [227 kg.] Load Rating
Optional Accessory Platform Brackets

- * Hole not available on the 9308-12 slide only
- o Hole not available on the 9308-22 only
- Available on 9308-48 and 9308-60 slides only
- △ Available on 9308-60 slides only
- Slide's lock-out for vertical mount only
- ◇ Depress lever to release slide from it's closed position, use the same lever to release the slide from it's locked out position

INCHES
[mm]



Finish	Clear electroplate (C) only	Mounting	Side mount Only (optional accessory platform brackets available)
Length	Even lengths: 12"-36" [305 mm-914 mm] 40", 42", 48", and 60" [1016 mm, 1066 mm, 1219 mm, 1524 mm]	Features	Non-disconnect 9308 lock-in and lock-out. 9307 lock-out only. Bumper provides extra silencing during drawer closure.
Travel	Full extension	Companion	9301 non-locking slide can be used in conjunction with locking 9307 or 9308 (see 9301 data sheet)
Height	3.00" [76.2 mm]	Hardware	Customer supplied
Side Space	.75" (+.031, -.000) [19.1 mm (+.79, -.00)]	Caution:	This slide must never be used as a pull-out step, platform, or any other application supporting human weight as injury may result.
Movement	Steel ball bearings		
Load Rating	Moderate Use 500 lbs. [227.3 kg.] Frequent Use 400 lbs. [181.8 kg.] Mobile (Vehicular) 300 lbs. [136.4 kg.]		

Part Number	Slide Length	Slide Travel	A	B	C	D	E	F	G	H	J	K	M	N	P	Q	R
9308-12	12.00 [304.8]	12.00 [304.8]						6.06 [153.9]	7.06 [179.3]	7.81 [198.4]				8.00 [203.2]	10.25 [260.4]	11.00 [279.4]	
9308-14	14.00 [355.6]	14.00 [355.6]						8.06 [204.7]	9.06 [230.1]	9.81 [249.2]				10.00 [254.0]	12.25 [311.2]	13.00 [330.2]	
9308-16	16.00 [406.4]	16.00 [406.4]						10.06 [255.5]	11.06 [280.9]	11.81 [299.9]				12.00 [304.8]	14.25 [361.9]	15.00 [381.0]	
9308-18	18.00 [457.2]	18.00 [457.2]	5.00 [127.0]					12.06 [306.3]	13.06 [331.7]	13.81 [350.8]				14.00 [355.6]	16.25 [412.8]	17.00 [431.8]	
9308-20	20.00 [508.0]	20.00 [508.0]	5.00 [127.0]				11.69 [296.9]	14.06 [357.1]	15.06 [382.5]	15.81 [401.6]				16.00 [406.4]	18.25 [463.6]	19.00 [482.6]	
9308-22	22.00 [558.8]	22.00 [558.8]	5.00 [127.0]	7.50 [190.5]			13.69 [347.7]	16.06 [407.9]	17.06 [433.3]	17.81 [452.4]				18.00 [457.2]	20.25 [514.4]	21.00 [533.4]	
9308-24	24.00 [609.6]	24.00 [609.6]	5.00 [127.0]	7.50 [190.5]			15.69 [398.5]	18.06 [458.7]	19.06 [484.1]	19.81 [503.2]				20.00 [508.0]	22.25 [565.2]	23.00 [584.2]	
9308-26	26.00 [660.4]	26.00 [660.4]	5.00 [127.0]	7.50 [190.5]			17.69 [449.3]	20.06 [509.5]	21.06 [534.9]	21.81 [553.9]				22.00 [558.8]	24.25 [615.9]	25.00 [635.0]	
9308-28	28.00 [711.2]	28.00 [711.2]	5.00 [127.0]	7.50 [190.5]			19.69 [500.1]	22.06 [560.3]	23.06 [585.7]	23.81 [604.8]				24.00 [609.6]	26.25 [666.8]	27.00 [685.8]	
9308-30	30.00 [762.0]	30.00 [762.0]	5.00 [127.0]	7.50 [190.5]			21.69 [550.9]	24.06 [611.1]	25.06 [636.5]	25.81 [655.6]	9.25 [234.9]		19.75 [501.6]	26.00 [660.4]	28.25 [717.6]	29.00 [736.6]	
9308-32	32.00 [812.8]	32.00 [812.8]	5.00 [127.0]	7.50 [190.5]			23.69 [601.7]	26.06 [661.9]	27.06 [687.3]	27.81 [706.4]	9.25 [234.9]		21.75 [552.5]	28.00 [711.2]	30.25 [768.4]	31.00 [787.4]	
9308-34	34.00 [863.6]	34.00 [863.6]	5.00 [127.0]	7.50 [190.5]		20.50 [520.7]	25.69 [652.5]	28.06 [712.7]	29.06 [738.1]	29.81 [757.1]	9.25 [234.9]		23.75 [603.2]	30.00 [762.0]	32.25 [819.1]	33.00 [838.2]	
9308-36	36.00 [914.4]	36.00 [914.4]	5.00 [127.0]	7.50 [190.5]		20.50 [520.7]	27.69 [703.3]	30.06 [763.5]	31.06 [788.9]	31.81 [807.9]	9.25 [234.9]		25.75 [654.1]	32.00 [812.8]	34.25 [869.9]	35.00 [889.0]	
9308-40	40.00 [1016.0]	40.00 [1016.0]	5.00 [127.0]	7.50 [190.5]	14.50 [368.3]		31.69 [804.9]	34.06 [865.1]	35.06 [890.5]	35.81 [909.5]	9.25 [234.9]		29.75 [755.6]	36.00 [914.4]	38.25 [971.5]	39.00 [990.6]	
9308-42	42.00 [1066.8]	42.00 [1066.8]	5.00 [127.0]	7.50 [190.5]	14.50 [368.3]		33.69 [855.7]	36.06 [915.9]	37.06 [941.3]	37.81 [960.4]	9.25 [234.9]		31.75 [806.5]	38.00 [965.2]	40.25 [1022.4]	41.00 [1041.4]	
9308-48	48.00 [1219.2]	48.00 [1219.2]	5.00 [127.0]	7.50 [190.5]	14.50 [368.3]	20.50 [520.7]	39.69 [1008.1]	42.06 [1068.3]	43.06 [1093.7]	43.81 [1112.8]	9.25 [234.9]		37.75 [958.9]	44.00 [1117.6]	46.25 [1174.8]	47.00 [1193.8]	
9308-60	60.00 [1524.0]	60.00 [1524.0]	5.00 [127.0]	7.50 [190.5]	14.50 [368.3]	20.50 [520.7]	51.69 [1312.9]	54.06 [1373.1]	55.06 [1398.5]	55.81 [1417.8]	9.25 [234.9]	23.50 [596.6]	37.75 [958.9]	56.00 [1422.4]	58.25 [1479.6]	59.00 [1498.6]	

* Load rating based on 18" slides mounted in a 32" wide drawer.

See 9301 technical sheet for further load information.

DRAWER SLIDES

MODELS 7950/7957

Heavy-duty slide series

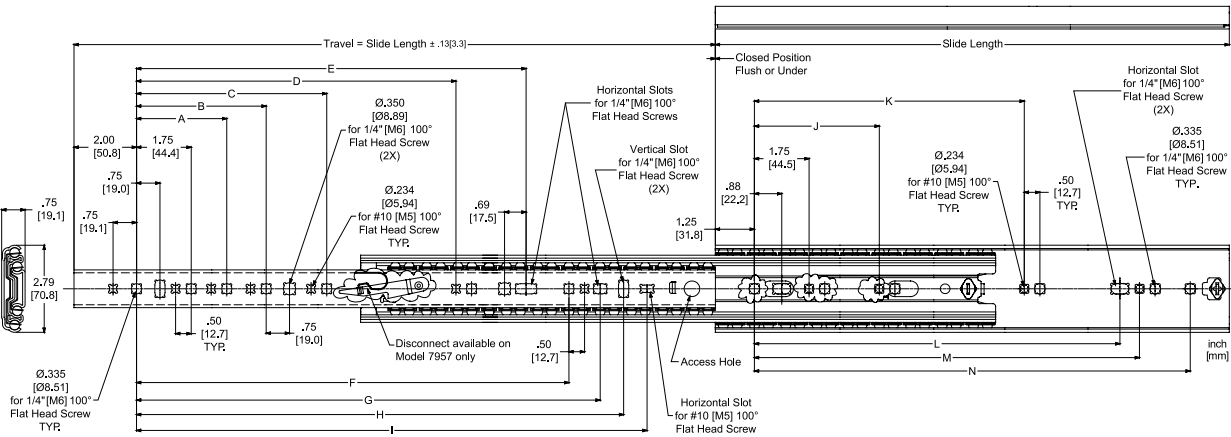
Up to 350 lb. [159 kg.] load capacity*

Drawers up to 42" wide

0.75" [19.1 mm] side space

Applications: The 7900 series is ideal for pull-out trays, shelves, or drawers for equipment or supply storage in utility and emergency vehicles; stationary industrial storage including tool or equipment boxes; or in machinery or manufacturing carriages, such as ATMs or vending machines.

Models 7950/7957



Model 7957 shown (with disconnect)

- | | |
|---|--|
| Finishes Bright electro-zinc (C) plating | Load 350 lbs. [159 kg.] side mount*
150 lbs. [68 kg.] flat mount* |
| Lengths 12"–36" [305 mm–914 mm] | Ball Bearings Carburized steel |
| Height 2.79" [71 mm] | Features Model 7950, non-disconnect, silencing
Model 7957, handed lever disconnect |
| Side Space .75" [19.1 mm] | Movement Steel ball bearings |
| Travel Full extension | Mounting Side mount, flat mount |
| Hardware 1/4" [M6] or #10 [M5] 100° Flat Head Screws | |

Part Number	Slide Length	Slide Travel	A	B	C	D	E	F	G	H	I	J	K	L	M	N
7950-12	12.00	12.00								7.06	7.81			7.25	7.88	9.50
7957-12	[304.8]	[304.8]								[179.4]	[198.5]			[184.2]	[200.2]	[241.3]
7950-14	14.00	14.00								9.06	9.81			9.25	9.88	11.50
7957-14	[355.6]	[355.6]								[230.2]	[249.3]			[235.0]	[251.0]	[292.1]
7950-16	16.00	16.00	4.25					9.31	10.31	11.06	11.81			11.25	11.88	13.50
7957-16	[406.4]	[406.4]	[108.0]					[236.6]	[262.0]	[281.0]	[300.1]			[285.8]	[301.8]	[342.9]
7950-18	18.00	18.00	4.25					11.31	12.31	13.06	13.81			13.25	13.88	15.50
7957-18	[457.2]	[457.2]	[108.0]					[287.4]	[312.8]	[331.8]	[350.9]			[336.6]	[352.6]	[393.7]
7950-20	20.00	20.00	4.25	6.75				13.31	14.31	15.06	15.81			15.25	15.88	17.50
7957-20	[508.0]	[508.0]	[108.0]	[171.5]				[338.2]	[363.6]	[382.6]	[401.7]			[387.4]	[403.4]	[444.5]
7950-22	22.00	22.00	4.25	6.75			12.94	15.31	16.31	17.06	17.81			17.25	17.88	19.50
7957-22	[558.8]	[558.8]	[108.0]	[171.5]			[328.7]	[389.0]	[414.4]	[433.4]	[452.5]			[438.2]	[454.2]	[495.3]
7950-24	24.00	24.00	4.25	6.75				14.94	17.31	18.31	19.06			19.25	19.88	21.50
7957-24	[609.6]	[609.6]	[108.0]	[171.5]				[379.5]	[439.8]	[465.2]	[484.2]			[489.0]	[505.0]	[546.1]
7950-26	26.00	26.00	4.25	6.75				16.94	19.31	20.31	21.06			21.25	21.88	23.50
7957-26	[660.4]	[660.4]	[108.0]	[171.5]				[430.3]	[490.6]	[516.0]	[535.0]			[539.8]	[555.8]	[596.9]
7950-28	28.00	28.00	4.25	6.75				18.94	21.31	22.31	23.06			23.25	23.88	25.50
7957-28	[711.2]	[711.2]	[108.0]	[171.5]				[481.1]	[541.4]	[566.8]	[585.8]			[590.6]	[606.6]	[647.7]
7950-30	30.00	30.00	4.25	6.75				20.94	23.31	24.31	25.06	25.81	8.00	18.50	25.88	27.50
7957-30	[762.0]	[762.0]	[108.0]	[171.5]				[531.9]	[592.2]	[617.6]	[636.6]	[655.7]	[203.2]	[469.9]	[641.4]	[698.5]
7950-32	32.00	32.00	4.25	6.75				22.94	25.31	26.31	27.06	27.81	8.00	20.50	27.88	29.50
7957-32	[812.8]	[812.8]	[108.0]	[171.5]				[582.7]	[643.0]	[668.4]	[687.4]	[706.5]	[203.2]	[520.7]	[692.2]	[749.3]
7950-34	34.00	34.00	4.25	6.75	13.75			24.94	27.31	28.31	29.06	29.81	8.00	22.50	29.88	31.50
7957-34	[863.6]	[863.6]	[108.0]	[171.5]	[349.3]			[633.5]	[693.8]	[719.2]	[738.2]	[757.3]	[203.2]	[571.5]	[743.0]	[800.1]
7950-36	36.00	36.00	4.25	6.75	13.75	19.75		26.94	29.31	30.31	31.06	31.81	8.00	24.50	31.88	33.50
7957-36	[914.4]	[914.4]	[108.0]	[171.5]	[349.3]	[501.7]		[684.3]	[744.6]	[770.0]	[789.0]	[808.1]	[203.2]	[622.3]	[793.8]	[850.9]

* Load Rating based on a 18" slide in a 42" drawer, cycled 10,000 times.

DRAWER SLIDES

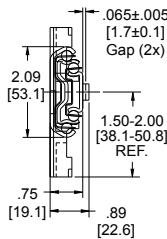
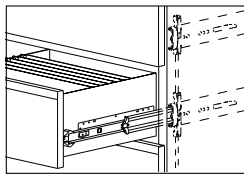
Model 3641 – Heavy-Duty Slide with Interlock System

Accuride introduces Model 3641, a heavy-duty slide with a rod-based interlock system that allows only one drawer to open at a time, preventing the accidental tipping of heavy multi-drawer cabinets. This feature also offers a platform to integrate optional central- or gang-locking actuators to secure cabinet contents. This durable product is suitable for toolboxes, mobile carts, metal furniture, storage cabinets, lateral files, and other applications where the safety feature of the interlock would provide benefit.

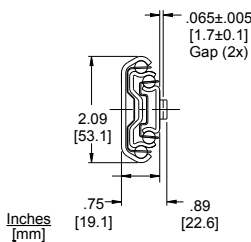
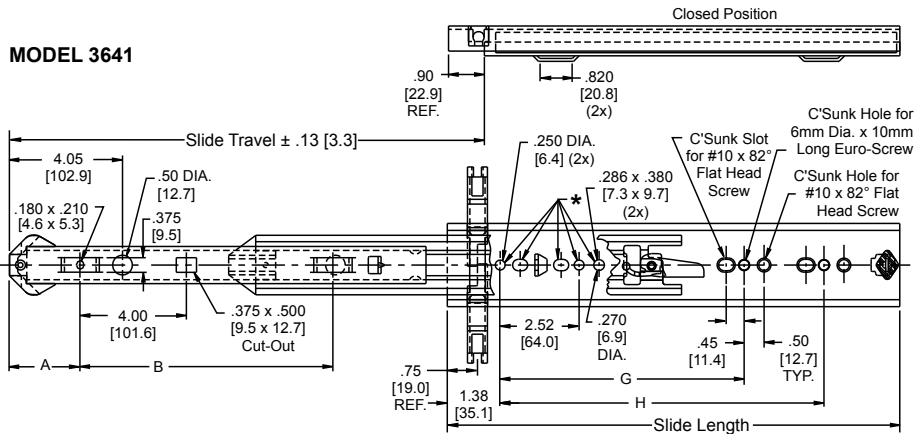
MODEL 3641 Interlock Slide

MODEL 3642 Companion Slide

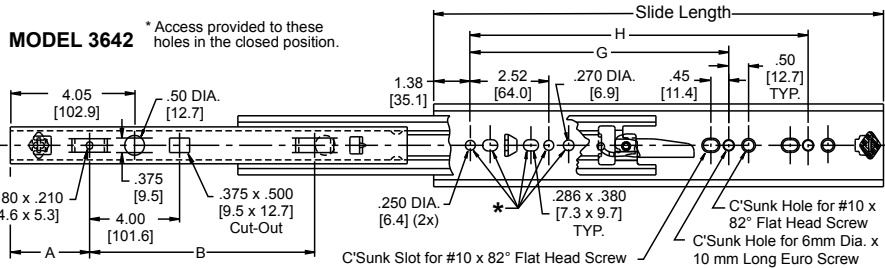
Rod-Based Interlock System
180 lb.* [82 kg.] Capacity



MODEL 3641



MODEL 3642



Finish	Bright electro-zinc (C) or black zinc † (CB) plating available
Length	Even lengths 14"–28", plus 17" Even lengths [353 mm–709 mm, plus 429 mm]
Travel	See Chart
Height	2.09" [53.1 mm] (slide only); 3.50" ± .010 [88.9 mm ± 0.25] minimum spacing between slide center lines
Load	180 lbs. [82 kgs.] per pair *
Side Space	.89" (+ .030 / - .000) [22.6 mm (+ .76 / -0.00)]
Mounting	Cabinet: Traditional (#10 flat head screws) or 32 mm system (Euro) screws Drawer: Adapter bracket (#8 screws)
Hardware	#10 x 82° flat head or 6 mm DIA. x 10 mm long Euro screw
Also	Disconnect using drawer adapter bracket. Sequencing latch, silenced open and close, detent closed

† Minimum order quantities may apply.
* Load rating based on an 18" slide on a 42" wide drawer cycled 75,000 times.

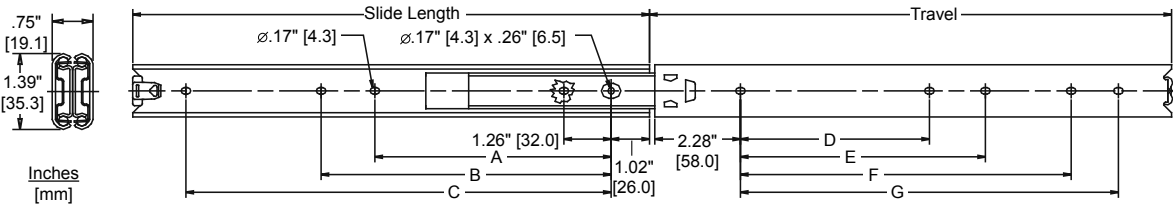
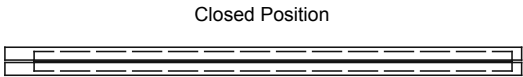
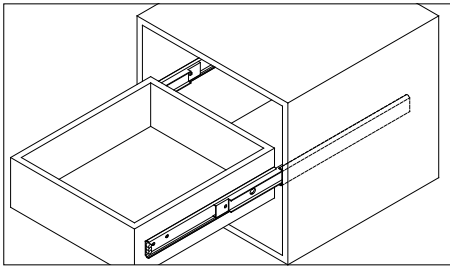
Part Number	Slide Length	Slide Travel	Pocket A	Pocket B	Hole G	Hole H
3641-14	13.90	14.00	1.80	8.50	8.82	-
3642-14	[353]	[356]	[45.7]	[215.9]	[224.0]	
3641-16	15.90	17.00	1.80	10.50	8.82	12.60
3642-16	[404]	[432]	[45.7]	[266.7]	[224.0]	[320.0]
3641-17	16.90	18.00	1.80	10.50	8.82	12.60
3642-17	[429]	[457]	[45.7]	[266.7]	[224.0]	[320.0]
3641-18	17.90	19.00	1.80	10.50	8.82	13.86
3642-18	[455]	[483]	[45.7]	[266.7]	[224.0]	[352.0]
3641-20	19.90	21.00	2.80	10.50	8.82	16.38
3642-20	[505]	[533]	[71.1]	[266.7]	[224.0]	[416.0]
3641-22	21.90	23.00	2.80	12.50	12.60	16.38
3642-22	[556]	[584]	[71.1]	[317.5]	[320.0]	[416.0]
3641-24	23.90	25.00	2.80	12.50	12.60	18.90
3642-24	[607]	[635]	[71.1]	[317.5]	[320.0]	[480.0]
3641-26	25.90	27.00	2.80	15.50	12.60	21.42
3642-26	[658]	[686]	[71.1]	[393.7]	[320.0]	[544.0]
3641-28	27.90	29.00	2.80	15.50	12.60	23.94
3642-28	[709]	[737]	[71.1]	[393.7]	[320.0]	[608.0]

DRAWER SLIDES

MODEL SS0330

Applications: Ideal for environments subject to corrosion.

Stainless Steel
 Full Extension
 Hold-in Detent
 Up to 143 lb. [65 kg.] Load Rating
 .75" [19.1 mm] Slide Thickness



Finish: Stainless Steel (RoHS compliant)
Length: 12"–24" [300 mm–600 mm] and 28" [700 mm]**
Travel: Full extension
Height: 1.39" [35.3 mm]
Load: Up to 143 lbs. [65 kg]

Side Space: .75+.030/-0.00 [19.1 mm+.76/-0.00]
Mounting: Side or hard mount
Hardware: #8 pan head screws (not included)
Features: Hold-in detent

Part Number	Slide Length	Travel ± .13 [3.2]	A	B	C	D	E	F	G	lb [kg] Load Rating
SS0330-12	11.81 [300]	11.98 [304.5]		7.55 [192]	8.81 [224]			7.55 [192]	8.81 [224]	110 [50]
SS0330-14	13.77 [350]	13.93 [354]		8.81 [224]	10.07 [256]			8.81 [224]	10.07 [256]	121 [55]
SS0330-16	15.74 [400]	15.86 [403]		7.55 [192]	12.59 [320]	6.29 [160]		11.33 [288]	12.59 [320]	121 [55]
SS0330-18	17.71 [450]	17.79 [452]		8.81 [224]	13.85 [352]	7.55 [192]		12.59 [320]	13.85 [352]	143 [65]
SS0330-20	19.68 [500]	19.72 [501]	10.07 [256]	11.33 [288]	16.37 [416]	8.81 [224]	10.07 [256]	15.11 [384]	16.37 [416]	121 [55]
SS0330-22	21.65 [550]	21.67 [550.5]	11.33 [288]	12.59 [320]	18.90 [480]	10.08 [256]	11.34 [288]	16.38 [416]	17.64 [448]	110 [50]
SS0330-24	23.62 [600]	23.62 [600]	12.60 [320]	13.86 [352]	20.16 [512]	11.34 [288]	12.60 [320]	18.90 [480]	20.16 [512]	99 [45]
SS0330-28	27.55 [700]	27.48 [698]	13.86 [352]	15.12 [384]	23.94 [608]	12.60 [320]	13.86 [352]	22.68 [576]	23.94 [608]	77 [35]

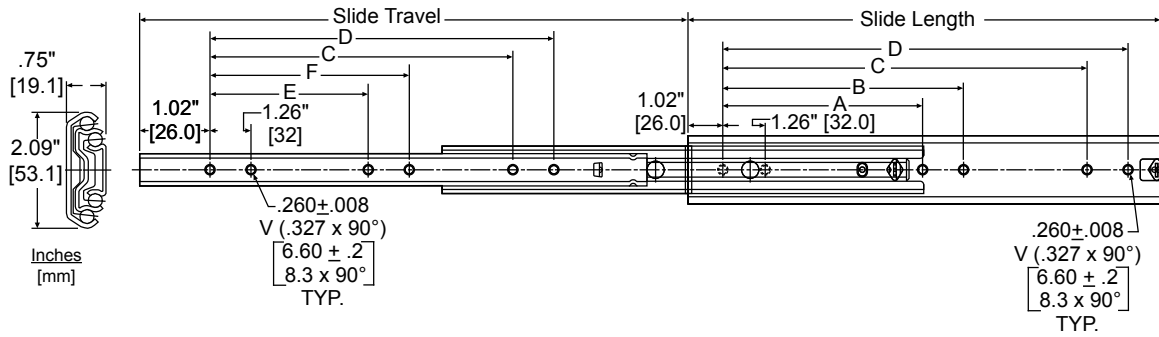
** Note: The lengths indicated in inches are approximate conversions from the metric measurements; please see the chart above for exact dimensions.

DRAWER SLIDES

MODEL SS5321

APPLICATIONS: Ideal for environments subject to corrosion.

Stainless Steel
Over Travel
Detent-In
Up to 352 lb. [160 kg.] Load Rating*
3/4" Slide Thickness



- Finish:** Stainless steel (RoHS compliant)
- Lengths:** 12"-24" [300 mm-600 mm], 28" [700 mm], and 31" [790 mm].**
- Travel:** Over Travel
- Height:** 2.09" [53.1 mm]
- Load Rating:** Up to 352 lbs. [160 kg]*
- Side Space:** .75+.030/- .000 [19.1 mm+.76/- .00]
- Mounting:** Side or hard mount
- Hardware:** Use #10 [5 mm] flat head or 6 mm Euro screw (Not included)
- Features:** Hold-in detent

Part Number	Slide Length	Travel	A	B	C	D	E	F	Load [kg]*
SS5321-12	11.81 [300]	12.74 [323.5]			7.56 [192]	8.82 [224]			264 [120]
SS5321-14	13.78 [350]	14.70 [373.5]			8.82 [224]	10.08 [256]			286 [130]
SS5321-16	15.75 [400]	16.67 [423.5]	6.30 [160]	7.56 [192]	11.34 [288]	12.60 [320]	5.04 [128]	6.30 [160]	308 [140]
SS5321-18	17.72 [450]	18.64 [473.5]	6.30 [160]	7.56 [192]	12.60 [320]	13.86 [352]	5.04 [128]	6.30 [160]	330 [150]
SS5321-20	19.68 [500]	20.61 [523.5]	7.56 [192]	8.82 [224]	15.12 [384]	16.38 [416]	6.30 [160]	7.56 [192]	352 [160]
SS5321-22	21.65 [550]	22.58 [573.5]	7.55 [192]	8.82 [224]	16.38 [416]	17.64 [448]	6.30 [160]	7.56 [192]	330 [150]
SS5321-24	23.62 [600]	24.55 [623.5]	10.08 [256]	11.34 [288]	18.90 [480]	20.16 [512]	7.56 [192]	10.08 [256]	286 [130]
SS5321-28	27.56 [700]	28.48 [723.5]	11.34 [288]	12.60 [320]	22.68 [576]	23.94 [608]	10.08 [256]	11.34 [288]	242 [110]
SS5321-31	31.10 [790]	31.63 [803.5]	13.86 [352]	15.12 [384]	26.46 [672]	27.72 [704]	12.60 [320]	13.86 [352]	220 [100]

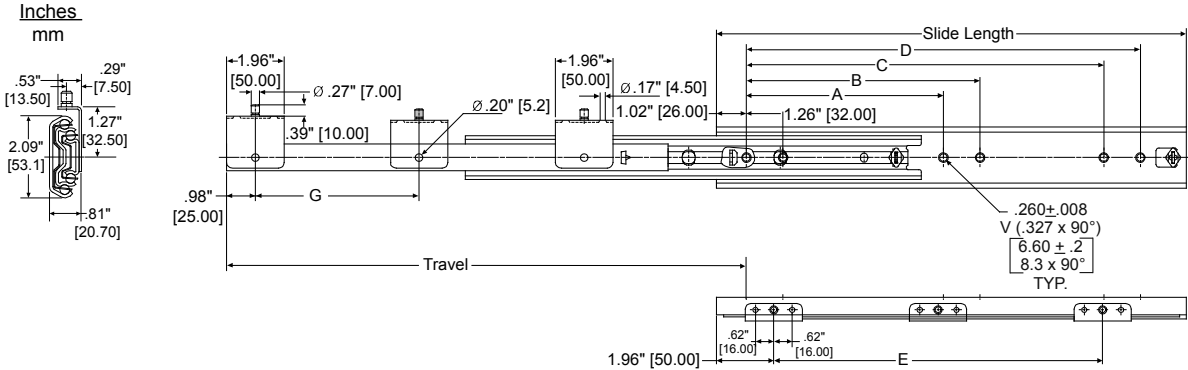
* Load rating based on 18" slides in an 18" wide drawer cycled 80,000 times. For maximum load rating, use all mounting holes.
** Note: The lengths indicated in inches are approximate conversions from the metric measurements; please see the chart above for exact dimensions.

DRAWER SLIDES

MODEL SS5322

Applications: Ideal for environments subject to corrosion.

Stainless Steel
 Over Travel
 Hold-in detent
 Load Rating Up to 265 lb. [120 kg.]
 .81" [20.7 mm] Slide Thickness



- Finish:** Stainless steel (RoHs compliant)
- Lengths:** 12"-24" [300 mm-600 mm], 28" [700 mm], and 31" [790 mm].**
- Travel:** Over Travel
- Height:** 2.09" [53.1 mm]
- Load Rating:** Up to 265 lbs. [120 kg]*
- Side Space:** .81" [20.7 mm]
- Mounting:** Side or hard mount bracket
- Hardware:** Use #10 [5 mm] flat head or [6 mm] Euro screw. Includes mounting brackets, locator pin, and C-clips (other hardware **not** included).
- Features:** Hold-in detent

Part Number	Slide Length	Travel	A	B	C	D	E	G
SS5322-12	11.81 [300]	13.46 [342]			7.55 [192]	8.81 [224]	6.96 [177]	
SS5322-14	13.77 [350]	15.43 [392]			10.07 [256]	11.33 [288]	8.93 [227]	
SS5322-16	15.74 [400]	17.40 [442]	6.29 [160]	7.55 [192]	11.33 [288]	12.59 [320]	10.90 [277]	
SS5322-18	17.71 [450]	19.37 [492]	7.55 [192]	8.81 [224]	13.85 [352]	15.11 [384]	12.87 [327]	
SS5322-20	19.68 [500]	21.33 [542]	7.55 [192]	8.81 [224]	15.11 [384]	16.37 [416]	14.84 [377]	
SS5322-22	21.65 [550]	23.30 [592]	8.81 [224]	10.07 [256]	17.63 [448]	18.89 [480]	16.81 [427]	
SS5322-24	23.62 [600]	25.27 [642]	10.07 [256]	11.33 [288]	18.89 [480]	20.15 [512]	18.77 [477]	9.38 [238.5]
SS5322-28	27.55 [700]	29.21 [742]	12.59 [320]	13.85 [352]	23.93 [608]	25.19 [640]	22.71 [577]	11.35 [288.5]
SS5322-31	31.10 [790]	32.36 [822]	13.85 [352]	15.11 [384]	26.45 [672]	27.71 [704]	26.65 [677]	13.32 [338.5]

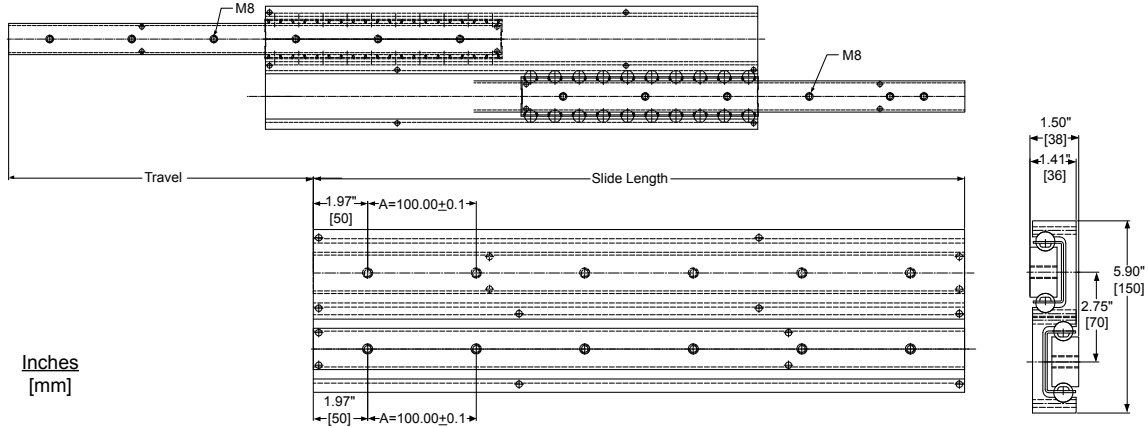
* Load rating based on 80,000 cycles on an 18" slide in an 18" wide drawer. Weight evenly distributed.
 ** Note: The lengths indicated in inches are approximate conversions from the metric measurements; please see the chart above for exact dimensions.

DRAWER SLIDES

MODEL AL4140

Applications: This slide is ideal for very heavy duty applications in environments subject to corrosion.

Aluminum
Full Extension
Up to 882 lbs [400 kg.] Load Rating*
Slides Sold Individually



- Finish:** Aluminum (RoHS compliant)
- Length:** 16", 20", 24", 28", 32", 36", 40", 44", and 48"
[400 mm, 500 mm, 600 mm, 700 mm, 800 mm, 900 mm, 1000 mm, 1100 mm and 1200 mm] **
- Travel:** Full Extension
- Height:** 5.90" [150 mm]
- Load:** Up to 882 lbs [400 kg]*
- Side Space:** 1.50" [38 mm]
- Mounting:** Side mount/Hard mount
- Hardware:** M8 screw (Not included)

Part Number	Slide Length	Travel	A
AL4140-16	15.75 [400]	15.82 [402]	3 X
AL4140-20	19.68 [500]	21.38 [543]	4 X
AL4140-24	23.62 [600]	24.60 [625]	5 X
AL4140-28	27.56 [700]	27.83 [707]	6 X
AL4140-32	31.50 [800]	33.39 [848]	7 X
AL4140-36	35.43 [900]	36.61 [930]	8 X
AL4140-40	39.38 [1000]	39.84 [1012]	9 X
AL4140-44	43.30 [1100]	45.40 [1153]	10 X
AL4140-48	47.24 [1200]	48.62 [1235]	11 X

* Load rating based on a pair of slides mounted 24" apart and tested at 10,000 cycles.
** The lengths indicated in inches are approximate conversions from the metric measurements.
Please see chart above for exact dimensions.

DRAWER SLIDES

Quadro IW 20 – Full-extension runner for wooden drawers Load capacity 100 lbs K.C.M.A.



- Load capacity 100 lbs K.C.M.A.
- Perfect vertical and lateral stability.
The robust, resilient tracks ensure optimal runner action through precision-guided steel balls.
- Maintenance-free through self-cleaning ball tracks.
- **Selfclose** – the spring-operated mechanism acts independently of load and closes the drawer safely and automatically.
- **Slide-on assembly** – simply place the drawer on the runners and push home. Done!
- **Flexibility through interchangeability** – swap between Quadro partial and full extension runners without changing cabinet, drawer or front panel dimensions!

Article / Nominal length mm	Drawer length 3-sided drawer	4-sided drawer		Min. cabinet depth	Order no.
		1/2"	5/8"		
Quadro IW 20/280	11"	11-1/2"	11-5/8"	12"	072164
Quadro IW 20/300	11-3/4"	12-1/4"	12-3/8"	12-3/4"	072172
Quadro IW 20/320	12-9/16"	13-1/16"	13-3/16"	13-9/16"	072165
Quadro IW 20/350	13-3/4"	14-1/4"	14-3/8"	14-3/4"	072173
Quadro IW 20/380	14-15/16"	15-7/16"	15-9/16"	15-15/16"	072166
Quadro IW 20/400	15-3/4"	16-1/4"	16-3/8"	16-3/4"	072174
Quadro IW 20/420	16-1/2"	17"	17-1/8"	17-1/2"	072167
Quadro IW 20/450	17-11/16"	18-3/16"	18-5/16"	18-11/16"	072175
Quadro IW 20/480	18-7/8"	19-3/8"	19-1/2"	19-7/8"	072168
Quadro IW 20/500	19-11/16"	20-3/16"	20-5/16"	20-11/16"	072176
Quadro IW 20/520	20-15/32"	21"	21-1/16"	21-7/16"	072169
Quadro IW 20/550	21-5/8"	22-1/8"	22-1/4"	22-5/8"	072177
Quadro IW 20/580	22-13/16"	23-5/16"	23-7/16"	23-13/16"	072170
Quadro IW 20/600	23-5/8"	24-1/8"	24-1/4"	24-5/8"	072178

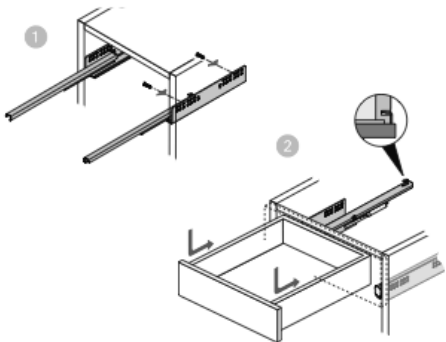
The special profiles are made of galvanized steel, the cage for the precision steel balls is made of noise-absorbing plastic.



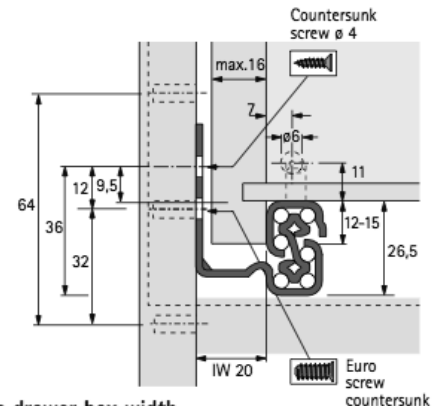
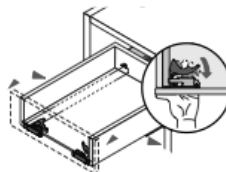
Catch with integrated front panel height adjustment

Article	Finish	Order no.	PU
Catch left	black	1067494	100
Catch right	black	1067495	100

Assembly



Disassembly



Outside drawer box width	
For box thickness	Deduct from inside cabinet width
1/2"	9/16"
5/8"	5/16"

Industrial Hardware Distributors, Inc.

620 Spicer St., Akron, OH 44311 • 800.824.1864 | 3415 S.W. 6th St., Ocala, FL 34474 • 800.682.8900
www.industrialhwe.com

DRAWER SLIDES

Quadro IW 20 – Silent System Full-extension runner for wooden drawers Load capacity 100 lbs K.C.M.A.



- Load capacity 100 lbs K.C.M.A.
- **Silent System:** the cushioning system integrated in the QUADRO V6 closes the drawer without a sound – as soft as velvet.
- Perfect vertical and lateral stability.
The robust, resilient tracks ensure optimal runner action through precision-guided steel balls.
- Maintenance-free through self-cleaning ball tracks.
- The integrated roll-out prevention stops accidental opening.
- **Slide-on assembly** – simply place the drawer on the runners and push home. Done!
- **Flexibility through interchangeability** – swap between Quadro partial and full extension runners without changing cabinet, drawer or front panel dimensions!

Article / Nominal length mm	Drawer length 3-sided drawer	4-sided drawer		Min. cabinet depth	Order no.
		1/2"	5/8"		
Quadro IW 20 Silent System/280	11"	11-1/2"	11-5/8"	12"	045284
Quadro IW 20 Silent System/300	11-3/4"	12-1/4"	12-3/8"	12-3/4"	045285
Quadro IW 20 Silent System/320	12-9/16"	13-1/16"	13-3/16"	13-9/16"	045286
Quadro IW 20 Silent System/350	13-3/4"	14-1/4"	14-3/8"	14-3/4"	045287
Quadro IW 20 Silent System/380	14-15/16"	15-7/16"	15-9/16"	15-15/16"	045288
Quadro IW 20 Silent System/400	15-3/4"	16-1/4"	16-3/8"	16-3/4"	045289
Quadro IW 20 Silent System/420	16-1/2"	17"	17-1/8"	17-1/2"	045290
Quadro IW 20 Silent System/450	17-11/16"	18-3/16"	18-5/16"	18-11/16"	045291
Quadro IW 20 Silent System/480	18-7/8"	19-3/8"	19-1/2"	19-7/8"	045292
Quadro IW 20 Silent System/500	19-11/16"	20-3/16"	20-5/16"	20-11/16"	045293
Quadro IW 20 Silent System/520	20-15/32"	21"	21-1/16"	21-7/16"	045294
Quadro IW 20 Silent System/550	21-5/8"	22-1/8"	22-1/4"	22-5/8"	045295
Quadro IW 20 Silent System/580	22-13/16"	23-5/16"	23-7/16"	23-13/16"	045296
Quadro IW 20 Silent System/600	23-5/8"	24-1/8"	24-1/4"	24-5/8"	045297

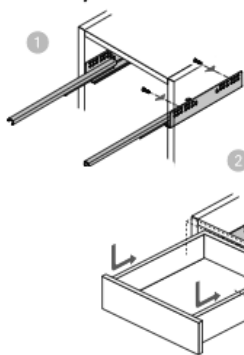
The special profiles are made of galvanized steel, the cage for the precision steel balls is made of noise-absorbing plastic.



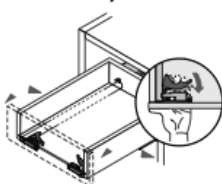
Catch with integrated front panel height adjustment

Article	Finish	Order no.	PU
Catch left	black	1067494	100
Catch right	black	1067495	100

Assembly

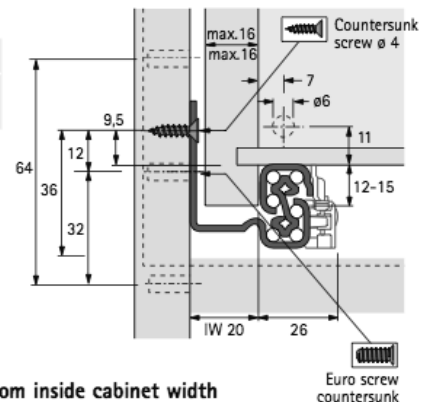


Disassembly



Countersunk Euro screw

Article	Order no.	PU
ø 6,3 x 10,5	051 264	200
ø 6,3 x 14	051 265	200



Outside drawer box width

For box thickness Deduct from inside cabinet width

1/2"	9/16"
5/8"	5/16"